



TritTech

Technology • Innovation • Durability



Innovative Spray Equipment for the Professional

AIRLESS SPRAY EQUIPMENT



Fan Width - Inches

GPM	2-4	4-6	6-8	8-10	10-12	12-14	14-16	16-18	18-20	LPM
0.05	107	207	307	407						0.20
0.09	109	209	309	409	509	609				0.33
0.12	111	211	311	411	511	611				0.49
0.18	113	213	313	413	513	613	713	813		0.69
0.24	115	215	315	415	515	615	715	815		0.91
0.31	117	217	317	417	517	617	717	817	917	1.17
0.38		219	319	419	519	619	719	819	919	1.47
0.47		221	321	421	521	621	721	821	921	1.79
0.57		223	323	423	523	623	723	823	923	2.15
0.67		225	325	425	525	625	725	825	925	2.54
0.74			327	427	527	627	727	827	927	2.96
0.90			329	429	529	629	729	829	929	3.42
1.03			331	431	531	631	731	831	931	3.90
1.17			333	433	533	633	733	833	933	4.42
1.31			335	435	535	635	735	835	935	4.98
1.47			337	437	537	637	737	837	937	5.56
1.63			339	439	539	639	739	839	939	6.18
	5-10	10-15	15-20	20-25.5	25.5-30.5	30.5-35.5	35.5-40.5	40.5-46	46-51	

Fan Width - Centimeters

CONTRACTOR SERIES

The T93R is available in 122 fan width and orifice combinations so you can match the right tip to every coating you spray. 5000 PSI (345 BAR)

Part No: 200-XXX



SAFETY GUARD

T93R Safety Guard fits most major manufacturers' airless spray guns and accepts most tips. Large knurls for a sure grip. 5000 PSI (345 BAR)

Part No: 200-999

7/8 Thread Size

Part No: 200-998

1 1/16 Thread Size



Fan Width - Inches

GPM	2-4	4-6	6-8	8-10	10-12	12-14	LPM
0.05	108	208	308	408			0.20
0.09	110	210	310	410	510		0.33
0.12	112	212	312	412	512	612	0.49
0.18	114	214	314	414	514	614	0.69
0.24					516	616	0.91
0.31					518	618	1.17
	5-10	10-15	15-20	20-25.5	25.5-30.5	30.5-35.5	

Fan Width - Centimeters

ULTRA-FINISH SERIES

Unique double-orifice atomizes the coating twice - each time finer than the first - to achieve an ultra fine finish. 25 fan pattern/orifice size combinations are available. 5000 PSI (345 BAR)

Part No: 201-XXX



Fan Width - Inches

GPM	2-4	4-6	6-8	8-10	10-12	12-14	14-16	16-18	18-20	LPM
0.05	107	207	307	407						0.20
0.09	109	209	309	409	509	609				0.33
0.12	111	211	311	411	511	611				0.49
0.18	113	213	313	413	513	613	713	813		0.69
0.24	115	215	315	415	515	615	715	815		0.91
0.31	117	217	317	417	517	617	717	817	917	1.17
0.38		219	319	419	519	619	719	819	919	1.47
0.47		221	321	421	521	621	721	821	921	1.79
0.57		223	323	423	523	623	723	823	923	2.15
0.67		225	325	425	525	625	725	825	925	2.54
0.74			327	427	527	627	727	827	927	2.96
0.90			329	429	529	629	729	829	929	3.42
1.03			331	431	531	631	731	831	931	3.90
1.17			333	433	533	633	733	833	933	4.42
1.31			335	435	535	635	735	835	935	4.98
1.47			337	437	537	637	737	837	937	5.56
1.63			339	439	539	639	739	839	939	6.18
1.80			341	441	541	641	741	841	941	6.83
1.98			343	443	543	643	743	843	943	7.51
2.17				445	545	645	745			8.23
2.37				447	547	647	747			8.98
2.58				449	549	649	749			9.76
2.79				451	551	651	751			10.57
3.00				453	553	653	753			11.35
3.25				455	555	655	755			12.29
4.26				463	563	663	763			16.13
4.43				465	565	665	765			17.17
	5-10	10-15	15-20	20-25.5	25.5-30.5	30.5-35.5	35.5-40.5	40.5-46	46-51	

Fan Width - Centimeters

MAXX SERIES

T93R MAXX tips have a 7500 PSI (500 BAR) MWP for maximum pressure spray applications. This simple 3-component design makes tip changes on the job quick and safe. 7500 PSI (500 BAR)

Part No: 207-XXX



MAXX SAFETY GUARD

T93R Safety Guard fits most major manufacturers' airless spray guns. All metal parts are stainless steel for durability. 7500 PSI (500 BAR)

Part No: 207-999

7/8 Thread Size

Part No: 207-998

1 1/16 Thread Size



Fan Width - Inches

GPM	22-24	LPM
0.38	1219	1.47
0.47	1221	1.79
0.57	1223	2.15
0.67	1225	2.54
0.74	1227	2.96
0.90	1229	3.42
1.03	1231	3.90
1.17	1233	4.42
1.31	1235	4.98
1.47	1239	5.56
	56-61	

Fan Width - Centimeters

HI-PRODUCTION SERIES

10 different combinations of wide fan patterns and orifice sizes for high production jobs where you've got to "blow-and-go" 5000 PSI (345 BAR)

Part No: 203-XXX



T360^F

3600 PSI (245 BAR)

Positive Shut-Off

Shut-off valve spring is located outside the fluid passages for reduced friction and longer service life.

Large Fluid Passages

Large-size fluid passages and a stream-lined valve stem offer less restriction and improved flow.



*Patent Pending

T360 Spray Gun - 3,600 PSI (245 BAR) MWP

Part No.	Description
503-150	T360 4-Finger with T93R Tip and Guard - 7/8"
503-151	T360 4-Finger with T93R Tip and Guard - 11/16"
503-152	T360 2-Finger with T93R Tip and Guard - 7/8"
503-153	T360 2-Finger with T93R Tip and Guard - 11/16"
503-154	T360 4-Finger NO Tip & Guard - 7/8"
503-155	T360 4-Finger NO Tip & Guard - 11/16"
503-156	T360 2-Finger NO Tip & Guard - 7/8"
503-157	T360 2-Finger NO Tip & Guard - 11/16"

T360 Spray Gun Repair Kit

Part No.	Description
503-092	T360 Repair Kit - 7/8"
503-093	T360 Repair Kit - 11/16"

T360 Filters

Part No.	Description
105-042-2	Coarse/White 50 Mesh 2-Pack
105-043-2	Medium/Yellow 100 Mesh 2-Pack
105-044-2	Fine/Blue 150 Mesh 2-Pack

T420^F

**4200 PSI (290 BAR) =
15% More Working Pressure**

No Adjustments - Calibrated Spring & Valve Stem

The entire valve stem assembly never needs adjustments - even when you rebuild it. The trigger spring is located outside the fluid passages and calibrated to provide the least resistance while assuring a positive shut-off.



*Patent Pending

T420 Spray Gun - 4,200 PSI (290 BAR) MWP

Part No.	Description
500-150	T420 4-Finger with T93R Tip and Guard - 7/8"
500-151	T420 4-Finger with T93R Tip and Guard - 11/16"
500-152	T420 2-Finger with T93R Tip and Guard - 7/8"
500-153	T420 2-Finger with T93R Tip and Guard - 11/16"
500-154	T420 4-Finger NO Tip & Guard - 7/8"
500-155	T420 4-Finger NO Tip & Guard - 11/16"
500-156	T420 2-Finger NO Tip & Guard - 7/8"
500-157	T420 2-Finger NO Tip & Guard - 11/16"

T420 Spray Gun Repair Kit

Part No.	Description
500-092	T420 Repair Kit - 7/8"
500-093	T420 Repair Kit - 11/16"

T420 Filters

Part No.	Description
105-042-2	Coarse/White 50 Mesh 2-Pack
105-043-2	Medium/Yellow 100 Mesh 2-Pack
105-044-2	Fine/Blue 150 Mesh 2-Pack

T750^F MAXX

**7500 PSI (500 BAR) =
Maximum Pressure Airless Gun**

- **High-strength** aluminum alloy handle is light-weight yet very hard - the very best of both worlds.
- Anodized protective finish is **highly corrosive resistant**.
- Spring and valve-stem are calibrated to provide **positive shut-off at maximum pressures**.
- Shut-off spring is located outside the fluid passages for **reduced friction and longer service life**.
- All internal wetted parts are precision machined from stainless steel and tungsten carbide for **maximum duty life**.
- Large, one-hole diffuser provides **increased fluid flow** when spraying viscous materials.



*Patent Pending

T750 MAXX Spray Gun - 7,500 PSI (500 BAR) MWP

Part No.	Description
507-150	T750 4-Finger with T93R MAXX Tip & Guard - 7/8"
507-151	T750 4-Finger with T93R MAXX Tip & Guard - 11/16"
507-152	T750 2-Finger with T93R MAXX Tip & Guard - 7/8"
507-153	T750 2-Finger with T93R MAXX Tip & Guard - 11/16"
507-154	T750 4-Finger NO Tip & Guard - 7/8"
507-155	T750 4-Finger NO Tip & Guard - 11/16"
507-156	T750 2-Finger NO Tip & Guard - 7/8"
507-157	T750 2-Finger NO Tip & Guard - 11/16"

T750 MAXX Spray Gun Repair Kit

Part No.	Description
507-092	T750 MAXX Repair Kit - 7/8"
507-093	T750 MAXX Repair Kit - 11/16"

T750 MAXX Filters

Part No.	Description
105-042-2	Coarse/White 50 Mesh 2-Pack
105-043-2	Medium/Yellow 100 Mesh 2-Pack
105-044-2	Fine/Blue 150 Mesh 2-Pack

2 YEAR WARRANTY -- TriTech is dedicated to innovation and refining airless spray equipment for professional coatings applicators. From the design and engineering to the precision manufacturing every TriTech product is made to the highest standards and we are proud to say - Made in the USA. **TriTech offer a Two year Warranty on all of the products in this catalog against defects in materials and workmanship**





Tip Extensions - Aluminum

Tip extensions give you extra reach for spraying soffits, high ceilings and reduce back fatigue when spray floors and decks. Moving the spray head away from you also keeps you and your equipment cleaner. Includes T93R Tip guard. 4200 PSI (290 BAR)

Airless Tip Extensions, Aluminum - 4,200 PSI (290 BAR) MWP

Part No.	Description
110-212	10" (25.5cm) - 7/8" threads
110-232	10" (25.5cm) - 11/16" threads
110-213	15" (38cm) - 7/8" threads
110-233	15" (38cm) - 11/16" threads
110-214	20" (51cm) - 7/8" threads
110-234	20" (51cm) - 11/16" threads
110-215	30" (76cm) - 7/8" threads
110-235	30" (76cm) - 11/16" threads

Tip Extensions - Stainless Steel

Manufactured from the highest quality stainless steel for high pressure applications. 7500 PSI (290 BAR)

Airless Tip Extensions, Stainless Steel - 7,500 PSI (500 BAR) MWP

Part No.	Description
110-225	36" (91.5cm) - 7/8" threads
110-227	60" (1.5m) - 7/8" threads

Cleaning and Maintenance

These products are chemically engineered to clean, lubricate and protect your spray system. Use daily for cleaning and maintenance.



Cleaning and Maintenance

Part No.	Description
400-010	TriTector 32 oz. (946ml) Bottle
400-005	TriLube 8 oz. (236ml) Bottle

TriTector cleans your pump and extends the life of your system against the harsh agents in coatings.

TriLube dissolves material deposits on displacement rods and packings and lubricates to prevent premature wear.



Pole Extensions - Aluminum

Made from strong and lightweight aluminum alloy extrusion for spray or pressure roll applications. Smooth-ribbed 1 1/2" (2.5cm) diameter for a sure, comfortable grip. Poles can be combined to create different lengths to suit your application (Maximum length should not exceed 10.5f (3.2m). 4200 PSI (290 BAR)

Airless Pole Extensions, Aluminum - 4,200 PSI (290 BAR) MWP

Part No.	Description
106-020	18" (46cm) - 7/8" threads
106-021	18" (46cm) - 11/16" threads
106-022	36" (91.5cm) - 7/8" threads
106-023	36" (91.5cm) - 11/16" threads
106-024	72" (1.8m) - 7/8" threads
106-025	72" (1.8m) - 11/16" threads



Adjustable Angle Spray Head

Attach to a tip extension or pole extension or direct to your spray gun to spray at a variety of angles. 260 degrees of rotation allows you to quickly and safely adapt to nearly any spray application. 4200 PSI (290 BAR)

Airless Swivel Head, Aluminum - 4,200 PSI (290 BAR) MWP

Part No.	Description
101-515	260° Swivel Head - 7/8" Threads
101-520	260° Swivel Head - 11/16" Threads



90° Angle Adapter

Attach between your spray gun and extension pole to convert a standard spray gun to an in-line spray gun. Ideally suited for over-head spraying such as ceilings and trusses or for pressure rolling applications. 4200 PSI (290 BAR)

Airless Angle Adapter, Aluminum - 4,200 PSI (290 BAR) MWP

Part No.	Description
106-041	90° Angle Adapter - 7/8" Threads
106-042	90° Angle Adapter - 11/16" Threads

Tip sizes - what the numbers mean.

The first 3 digits specify the series of tip.

200 = T93R Contractor
201 = T93R Ultra-Finish
203 = T93R Hi-Production
205 = T93F Flat
206 = T93F Ultra-Finish
207 = T93R MAXX
209 = T93F Hi-Volume

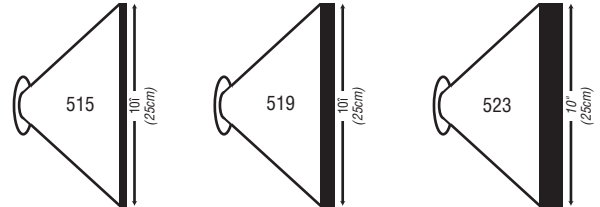
200 - 515

Double this number to determine the fan width when spraying 12" (30cm) from the surface. Depending on pressure and material actual width may vary by up to 2" (5cm).

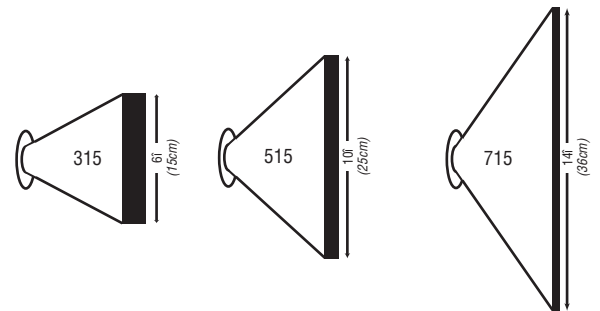
The last two digits specify the flow of fluid through the tip - this is the orifice. This opening controls the amount of fluid that flows through the tip. The pressure you are spraying at also has an affect on flow - more pressure equals more flow.

Proper tip sizing.

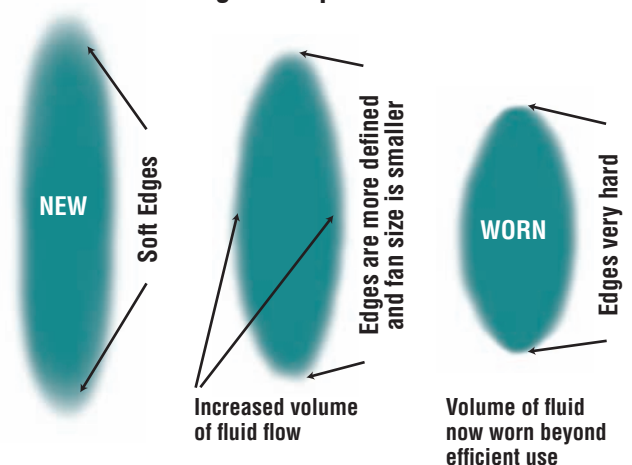
Same fan width - difference orifice sizes: The example below demonstrates the difference between tips with the same fan width, but increasing orifice sizes. The larger the orifice, the more coating you apply using the same spray pressure and hand-speed as you spray.



Different fan width - same orifice sizes: The example below demonstrates the difference between tips with the same orifice size, but increasing fan sizes. The same amount of coatings is applied over a larger area - or less coating per square inch using the same pressure and hand-speed as you spray. When necessary, remember to size up or down your orifice as you size up or down your fan width if you want to apply the same amount of coating per square inch.



Signs of tip wear.



TriTech Industries Inc.

610 Rahway Ave., Union NJ 07083 USA
908-378-1080 USA Toll Free 866-387-4832
Fax - 908-378-1659

email: support@tritechindustries.com
online at: www.tritechindustries.com

Made with Pride in the USA

© Copyright 2010 TriTech Industries, Inc. All Rights Reserved. Printed in the USA