

TITAN™

Advanced Performance. Total Reliability.

Airless Accessories



TITAN™

Advanced Performance. Total Reliability.

Airless Accessories

Complete Source for Genuine Parts and Accessories

CONTENTS

Aluminum Airless Gun	4-5
Stainless Steel Guns	6-7
Airless Tips	8-9
Tip Technology	10-11
Guards & Filters	12-13
Reach Tools	14-17
Rollers	18-19
Hoses	20-21
Liquids	22-23
Manifolds	24-25
DT Steamer / PaintEater®	26
Modular Manifolds	27





Advanced Performance. Total Reliability.

Why Titan Genuine Parts and Accessories?

ADVANCED PERFORMANCE

- TITAN airless accessories are designed BY professionals FOR professionals
- Our accessories and equipment are built for hard work and long life
- The latest engineering technology ensures ease of use and dependability
- Our accessories and equipment meet and exceed the expectations of professionals who want to do the job right the FIRST time.

TOTAL RELIABILITY

- Proven technology - you finish every project quickly and profitably
- Superior design and construction maximizes the service life of your accessories and equipment
- Complete diversity – we have the right equipment for every project and sprayer application
- Half a century of getting the job done right – TITAN is the name you trust

UNSURPASSED SERVICE

- Dependable, reliable network of authorized sales and service distributors
- The best customer service in the industry to help you select the right equipment and accessories
- Professional application and service representatives ready to assist you with recommendations and technical support

**FOR THE BEST, MOST PROFESSIONAL RESULTS –
USE ONLY GENUINE TITAN PARTS AND ACCESSORIES**

Residential



Commercial



Fine Finish



Roofing



TITAN™ AIRLESS GUNS

TITAN is an industry leader in sprayer gun technology

Countless hours of research and development have been devoted to manufacturing a full line of the best quality TITAN airless guns for every application imaginable - from the thinnest lacquers to the heaviest textures and roof coatings.

- Designed to minimize hand fatigue
- Solid, safe construction
- Precision trigger for accurate delivery

Interior



Exterior

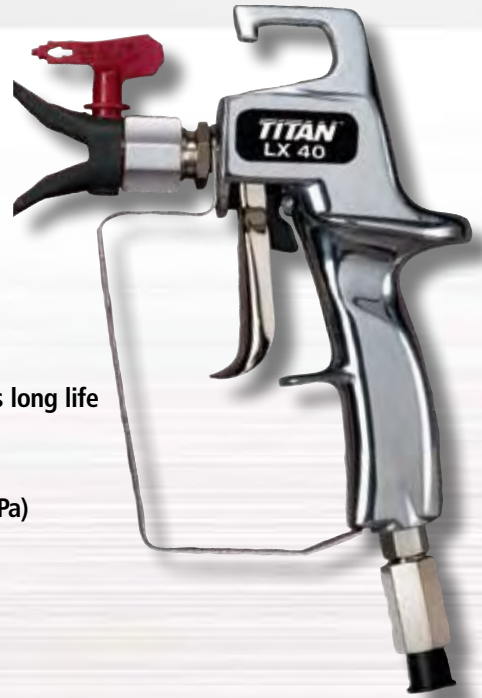


LX-40 Airless Gun

Part No. 550-540 (2 Finger Trigger)

Features & Benefits

- All-metal construction
- In-handle filter
- Tungsten carbide ball valve ensures long life
- Includes 517 SC-6™ reversible tip
- Pressure rated at 3000 PSI (20.7 MPa)



G-10XL Airless Gun

4-Finger Gun	0296235
2-Finger Gun	0296236
4-Finger Gun Hose Tip Kit	0296326
2-Finger Gun Hose Tip Kit	0296327
Repair Kit	0296294

Features & Benefits

- Available in 4 finger trigger or 2 finger trigger.
- All metal construction.
- Tungsten carbide ball valve and seat insure long life & durability.
- In-handle filter reduces clogging & increases tip life.
- Swivel reduces hose kinks & assures effortless control.
- Includes 517 SC-6™ reversible tip.
- Pressure rated at 3600 PSI (25 MPa).
- Lightweight, only 20 ounces (0.63 kg).



2 Finger Gun

4 Finger Gun

LX-80^{II} Airless Gun

4-Finger Gun	580-100A
2-Finger Gun	581-085
4 Finger Gun Hose Tip Kit	580-050
2 Finger Gun Hose Tip Kit	581-150
Repair Kit	580-034

Features & Benefits

- Available on 4 finger trigger or 2 finger trigger.
- All metal construction.
- Tungsten carbide ball valve and seat insure long life & durability.
- In-handle filter reduces clogging & increases tip life.
- Swivel reduces hose kinks & assures effortless control.
- Includes 517 SC-6™ reversible tip.
- Pressure rated at 3600 PSI (25 MPa).
- Lightweight, only 20 ounces (0.63 kg).



4 Finger Gun

2 Finger Gun

LX-80 Platinum Series

Gun	584-100
Gun Hose Tip Kit	584-050
Repair Kit (Ball & Seat)	594-040
Repair Kit (Complete Kit)	584-045

Features & Benefits

- Unique two-piece seal assembly design allows removal of just the ball for easy maintenance.
- Ultra-light trigger pull & form fitting handle reduces hand fatigue.
- Reversible tungsten carbide seat offers twice the life of standard diffusers.
- All metal construction.
- Swivel reduces hose kinks and assures effortless control.
- In-handle filter helps reduce tip clogs & increase tip life.
- Includes 517 SC-6™ reversible tip.
- Pressure rated at 3600 PSI (25 MPa).



TITAN™ AIRLESS GUNS STAINLESS STEEL

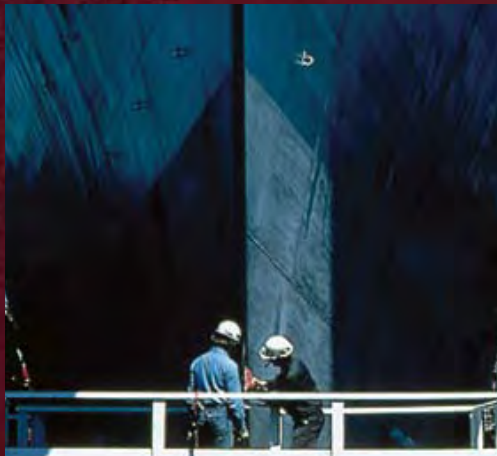
TITAN is an industry leader in sprayer gun technology

For centuries it has been the ultimate expression of metallic strength. Stainless steel is the strongest, most powerful, most durable and reliable alloy ever created. It was used to forge swords, armor and cannons and, for decades, has forged the best spray guns in the world – guns that can handle higher pressures and specialized coatings.

Industrial



Commercial



S-3 Airless Gun

Gun	550-250
Gun Hose Tip Kit	550-460
Repair Kit	550-275

Features & Benefits

- Stainless steel fluid passages.
- In-handle filter.
- Tungsten carbide ball valve & seat ensures long life & durability.
- Easy 4 finger trigger pull.
- 1/4" Swivel reduces hose kinks.
- Includes 517 SC-6™ reversible tip.
- Pressure rated at 3900 PSI (27 MPa).



S-5 Airless Gun

Gun	550-100
Gun Hose Tip Kit	550-110
Repair Kit	520-025

Features & Benefits

- All metal construction.
- Stainless steel fluid passages.
- Tungsten carbide ball valve & seat ensures long life & durability.
- Pressure rated at 5000 PSI (34.5 MPa).
- Front feed, filterless design for heavy coatings.
- Easy 2 finger trigger pull.
- Includes 517 SC-6™ reversible tip.



S-7 Airless Gun

Gun with 1/4" Swivel 550-260

Gun with 3/8" Swivel 550-270

Repair Kit 550-276

- Stainless steel fluid passages.
- In-handle filter.
- Available in two swivel sizes.
- Tungsten carbide ball valve & seat insures long life & durability.
- Easy 4 finger trigger pull.
- Swivel reduces hose kinks.
- Includes 517 heavy-duty reversible tip.
- Pressure rated at 7700 PSI (53 MPa).



TITAN™ AIRLESS TIPS

Contractors know the quality of a spray tip can make or break a project

That is why smart contractors don't take a chance on cheap tips that wear out quickly, waste coatings and deliver an uneven finish. TITAN airless tips are renowned in the industry for their strength, durability and long life.

- Titan offers a full spectrum of sprayer tips for a full range of applications
- Highest quality tungsten carbide yields the longest tip life
- Precision machined for a perfect fan pattern
- Solvent-proof seal holds up against harshest coatings

There is no substitute for a TITAN tip.

Commercial



SC-6 Reversible Tip

Features & Benefits

"Longest Lasting Tip in the Industry"

- Highest quality tungsten carbide assures longest life, durability, and fewer passes for better coverage.
- Exclusive flow indicator indicates that tip is in spray or clean position.
- Ergonomic design assures comfort when rotating to spray or reverse position for cleaning.
- Insertion and knockout tool for easy assembly



Product no. 661-XXX

Available in the following orifice sizes: (numerous fan widths available)

007	015	023	031	039
009	017	025	033	043
011	019	027	035	
013	021	029	037	

WideSpray™ Tip

Features & Benefits

- Perfect for high production applications.
- Increase production up to 100%.
- Widespray will save you time and money.
- Insertion and knockout tool for easy assembly



Product no. 661-XXXX

Available in the following sizes:

1219	1223	1227	1231	1235	1417	1421
1221	1225	1229	1233	1237	1418	

SYNERGY™ Tip

Features & Benefits

- Particle size up to 27% smaller than a standard tip.
- Interchangeable with industry standard safety guards.
- Ideal for lacquers, stains, and clear coats.
- Increased transfer efficiency.
- Insertion and knockout tool for easy assembly



Product no. 671-XXX

Available in the following sizes:

208	210	212	214
308	310	312	314
408	410	412	414
	510	512	514
		612	614

High Pressure Tip

Features & Benefits

- Heavy duty reversible tip.
- Pressure rated to 7700 psi.
- Insertion and knockout tool for easy assembly

Available in the following orifice sizes:

117	217	517	527	533	821
119	219	519	529	535	831
121	221	521	531	539	835
123	223	523			
	225	525			



Product no. 721-XXX

Flat Tip

Features & Benefits

- Precision machined from the highest quality Tungsten Carbide.

Available in the following orifice sizes: (numerous fan widths available)

007	017	027	037	047	062
009	019	029	039	049	072
011	021	031	041	072	
013	023	033	043	052	
015	025	035	045	055	



Product no. 002-XXX

Adjustable Self Cleaning Tip

Features & Benefits

- Fully adjustable fan widths from 2" to 24" reduce overspray.
- Perfect when changing from spraying walls to cutting in for trim work or around windows.
- Self-cleaning feature eliminates costly downtime.

Product Number	Orifice Range	Coating Range
341-015	.005-.018	Lacquer & Stain
341-020	.007-.019	Lacquer & Stain
341-024	.007-.026	Lacquer & Enamals
341-028	.011-.026	Lacquer & Enamals
341-041	.017-.035	High Builds
341-049	.021-.054	Very Heavy



Product no. 341-XXX

Fine Finish Metering Orifice

- Designed to produce a more complete atomization of the spray pattern.
- Increases your transfer efficiency by allowing you to spray at lower pressures.
- When ordering, always use a metering orifice that is at least .004 larger than the spray tip being used. Example: a .019 tip should be used with a .023 Metering Orifice.

Product Number	Orifice in Inches	Max. Tip Size Recommended
512-011	.011	.007
512-013	.013	.009
512-015	.015	.011
512-018	.018	.013
512-021	.021	.017
512-023	.023	.019
512-026	.026	.021
512-031	.031	.026
512-035	.035	.031
512-039	.039	.035
512-049	.049	.043
512-059	.059	.045

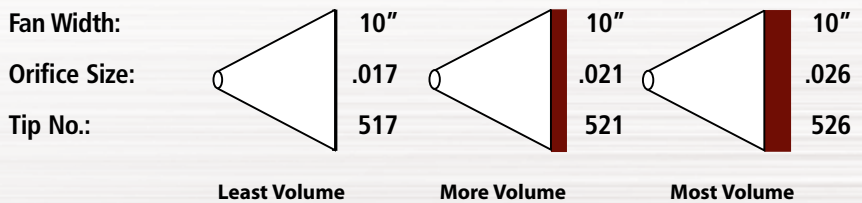


Product no. 512-XXX

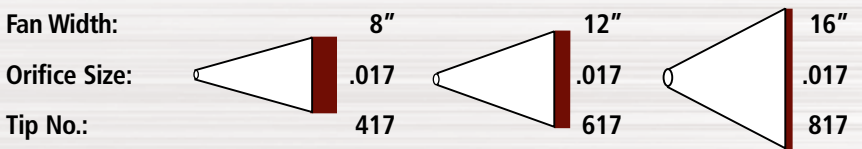
Understanding Airless Tips

Airless spray tips are a key component to the successful operation of an airless spray system. They define the spray pattern, control the flow of the coating being sprayed & ultimately tell the pump how hard it must work. A proper understanding of airless tips is critical to the success of any airless application.

Examples: The larger the orifice with the same fan width, the greater the volume of paint applied to the same area.



Conversely, the larger the fan width with the same orifice means the same amount of material is being applied over a greater area. The result is less volume of paint per square inch.



Airless Spray Tip Characteristics

It is important to remember that the orifice size, in conjunction with the fan-width size, determines the spray characteristics of the tip.

Tip Wear

When beginning a project, choosing the right tip size & fan width will determine how profitable you will be through both coating consumption & production time. If the tip size being used is wrong — by either choice or through wear — mil thicknesses will be too heavy & the finish will be unprofessional.

The spray pattern chart demonstrates what happens as a tip wears. As wear occurs, the pattern size decreases & the orifice size increases. You will find that you have to make more passes to cover the same area. There is no standard rate of tip wear due to the variation of the abrasiveness of all coatings. Replace your tips after 100 gallons (378 liters); it's one of the most profitable things you can do.



Spray Pattern Width			
New	Worn to	Worn to	Worn to
517	419	321	223
Flow Rate			
.30 gpm (1.1 lpm)	.40 gpm (1.5 lpm)	.47 gpm (1.7 lpm)	.57 gpm (2.1 lpm)
Flow Rate Increase			
	33%	57%	90%

Understanding Tip Product Numbers

661-519

First 3 digits specify either SC-6 or Flat style:
 661 = SC-6 Style
 002 = Flat Style

Double the first digit after the hyphen to determine the fan width when tip is 12" from the surface being sprayed

Last two digits specify the orifice size

EXAMPLE: Product Number 661-519 is:

- SC-6 Reversible Tip
- 10"-12" Fan Pattern
- .019 orifice

When ordering airless spray tips from this chart, precede the tip number with "661" for SC-6 & "002" for Flat.

Orifice Size In Inches	Fan Width In Inches	GPM Flow Rate	Flat & SC-6 Tip Number*	Orifice Size In Inches	Fan Width In Inches	GPM Flow Rate	Flat & SC-6 Tip Number*	Orifice Size In Inches	Fan Width In Inches	GPM Flow Rate	Flat & SC-6 Tip Number*		
.007 (.018 cm)	2"-4"	.05 (.2 lpm)	107	.019 (.048 cm)	4"-6"	.40 (1.5 lpm)	219	.031 (.078 cm)	6"-8"	1.1 (4.1 lpm)	331		
	4"-6"		207		6"-8"		431						
	6"-8"		307		8"-10"		531						
	8"-10"		407		10"-12"		631						
.009 (.023 cm)	2"-4"	.08 (.3 lpm)	109	.021 (.053 cm)	10"-12"	.47 (1.7 lpm)	519	.033 (.084 cm)	12"-14"	1.2 (4.5 lpm)	533		
	4"-6"		209		12"-14"		633						
	6"-8"		309		14"-16"		619		14"-16"		731		
	8"-10"		409		16"-18"		719		16"-18"		831		
	10"-12"		509		18"-20"		819		.035 (.089 cm)		6"-8"	1.3 (4.9 lpm)	335
	12"-14"		609		8"-10"		919				8"-10"		435
.011 (.028 cm)	2"-4"	.12 (.5 lpm)	111	.023 (.058 cm)	4"-6"	.57 (2.1 lpm)	221	.039 (.099 cm)	10"-12"	1.2 (6.2 lpm)	539		
	4"-6"		211		6"-8"		321		.043 (.109 cm)		8"-10"	2.05 (7.8 lpm)	443
	6"-8"		311		8"-10"		421				10"-12"		543
	8"-10"		411		10"-12"		521		10"-12"		535		
	10"-12"		511		12"-14"		621		12"-14"		635		
	12"-14"		611		14"-16"		721		14"-16"		735		
.013 (.032 cm)	2"-4"	.18 (.7 lpm)	113	.025 (.064 cm)	4"-6"	.66 (2.5 lpm)	225	.027 (.069 cm)	8"-10"	2.9 lpm	427		
	4"-6"		213		6"-8"		325		.029 (.074 cm)		8"-10"	.88 (3.3 lpm)	429
	6"-8"		313		8"-10"		425				10"-12"		529
	8"-10"		413		10"-12"		525		10"-12"		527		
	10"-12"		513		12"-14"		625		12"-14"		627		
	12"-14"		613		14"-16"		725		14"-16"		725		
.015 (.038 cm)	2"-4"	.23 (.9 lpm)	115	.027 (.069 cm)	4"-6"	.66 (2.5 lpm)	225	.029 (.074 cm)	8"-10"	2.9 lpm	427		
	4"-6"		215		6"-8"		325		.029 (.074 cm)		8"-10"	.88 (3.3 lpm)	429
	6"-8"		315		8"-10"		425				10"-12"		529
	8"-10"		415		10"-12"		525		10"-12"		527		
	10"-12"		515		12"-14"		625		12"-14"		627		
	12"-14"		615		14"-16"		725		14"-16"		725		
.017 (.043 cm)	2"-4"	.30 (1.1 lpm)	117	.029 (.074 cm)	4"-6"	.66 (2.5 lpm)	225	.029 (.074 cm)	8"-10"	2.9 lpm	427		
	4"-6"		217		6"-8"		325		.029 (.074 cm)		8"-10"	.88 (3.3 lpm)	429
	6"-8"		317		8"-10"		425				10"-12"		529
	8"-10"		417		10"-12"		525		10"-12"		527		
	10"-12"		517		12"-14"		625		12"-14"		627		
	12"-14"		617		14"-16"		725		14"-16"		725		

Spray width measured with gun tip 12 inches (30 cm) from work surface. Other sizes available, call 800-526-5362 for more information.

TITAN™

GUARDS & FILTERS

Nothing destroys a piston or a gun tip faster than debris in the coating. That's why you need the best paint filters available. TITAN gun filters and manifold filters are designed for long life and maximum protection.

- Made from stainless steel for strength and service
- Wide variety of mesh sizes from 10 to 100
- Engineered for durability and long life

Residential

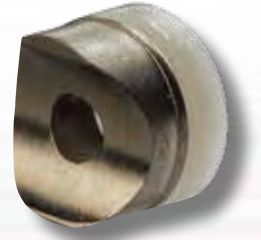


Manifold Filter



Seals

- Solvent resistant white seal...651-020
- Solvent resistant white seal, 6 pack...661-021
- Metal retainer...651-040
- Solvent resistant seal & retainer kit, 5 pack...661-020
- Solvent resistant seal & retainer kit, 12 pack...651-060
- Latex black seal...651-042



SC-6 Guard

Features & Benefits

- Design allows guard to be installed without tools.
- Seal cavity on safety guard has large "flats" for quick & easy installation of seal.
- For use with Titan SC-6 tip only.
- Interchangeable with most competitive bases.



Product No. 661-012

661-012 7/8" -14 - 5000 PSI
661-027 7/8" -14 - 7700 PSI

Titan, Wagner, Graco, ASM
Titan, Wagner, Graco, ASM

Flat & Adjustable Tip Guard

450-100A 7/8" -14 Titan, Wagner, Graco
SprayTECH, ASM



In-Line Filter

Features & Benefits

Designed for added filtration or when using a gun without a filter.



Product No.

550-223

Gun & Pump Filters

Reverse thread design prevents filter from unscrewing when handle is removed for cleaning & replacement. Packaged two per pack.

Threaded

Filters	Product No.
*Coarse (Green)	500-200-03
Medium (White)	500-200-06
Fine (Yellow)	500-200-10
Extra Fine (Red)	500-200-15

For use with LX-80[®] & LX-80 Platinum

*Manifold Filter for 330 & 440i.

Unthreaded

Filters	Product No.
*Coarse (Green)	0089957
Medium (White)	0089958
Fine (Yellow)	0089959
Extra Fine (Red)	0089960

For use with G-10, LX-70, S-3 and S-7.

*Manifold Filter for 2155 & 400.



Pump Manifold Filters

For use on Speeflo PowrTwin 5500, 4900, 6900, 8900, 10000 & 12000

Mesh No.	Product No.
Mastic-0 mesh	930-004
Coarse-5 mesh	930-005
*Medium-50 mesh	930-006
Fine-100 mesh	930-007

*Note: Standard with sprayer, includes ball.

For use on PowrTwin 3500, 4500, & Hydra

Mesh No.	Product No.
Coarse-5 mesh	920-001
*Medium-50 mesh	920-004
Fine-100 mesh	920-005

*Note: Standard with sprayer, excludes ball.

Ball check sold separately 920-103



For use on Titan 640ix - 1140ix, & IMPACT 440-1640

Mesh	Product No.
Coarse-30 mesh	730-067-30
Medium-60 mesh	730-067
Fine-100 mesh	730-067-10

For use on Titan E15, E20, G40 & G55

Mesh	Product No.
Coarse-30 mesh	761-042
Medium-60 mesh	761-043
Fine-100 mesh	761-041



Inlet Screens

Never operate your siphon or direct immersion airless pump without this in place. Also known as a "rock catcher", this product serves as a filtering screen & prevents any debris from entering the fluid section that can cause damage & expensive repairs.

Titan Inlet Screens (Small)

Mesh	Product No.
30 mesh (Fine)	700-900
10 mesh (Coarse)	700-805

Titan Inlet Screens (Large)

Mesh	Product No.
30 mesh (Fine)	710-191
10 mesh (Coarse)	710-046

Speeflo Inlet Screens

Units	Product No.
4900, 6900, 8900, 12000	103-627
All GHD	710-046
Hydra Pro IV	103-627



TITAN™ REACH TOOLS

When your arms just aren't long enough

Ladders and step stools have their limits. Wouldn't it be nice to reach high places, to reach over foliage, to reach all the way to a high ceiling without ever leaving the floor or the ground? TITAN offers a collection of reach tools that allow you to apply every coating imaginable to out-of-reach areas. From gun extensions to extension poles and pole guns, TITAN is your source for easier and more efficient coating application.

- Maximize the speed and efficiency of your operation
- Minimize danger – eliminate reaching from ladders
- Get the job done safely and quickly the first time

Extended Reach



Gun Extensions - Aluminum

- Lightweight and easy to handle.
- Can be used with most brands of airless spray guns.
- Pressure rated at 3600 PSI (25 MPa).

7/8" G-Thread - Standard

6" (15 cm)	Product No. 651-070
12" (30 cm)	Product No. 651-071
18" (45 cm)	Product No. 651-072
24" (60 cm)	Product No. 651-073

11/16" F-Thread

6" (15 cm)	Product No. 651-121
12" (30 cm)	Product No. 651-122
18" (45 cm)	Product No. 651-123
24" (60 cm)	Product No. 651-124



High Pressure Gun Extensions- Stainless Steel

- Heavy duty stainless steel.
- Can be used with most brands of airless spray guns.
- Pressure rated at 7700 PSI (53 MPa).

7/8" G-Thread - Standard

6" (15cm)	Product No. 611-280
12" (15cm)	Product No. 611-281
18" (15cm)	Product No. 611-282
24" (15cm)	Product No. 611-283



Swivel Head



For use with Titan Gun Extensions & Extension Poles.

Permits a 260° rotation for greater spraying versatility & accessibility.

7/8" G-Thread Swivel Head - Female

Product No. 651-139

7/8" G-Thread Swivel Head - Male

Product No. 711-600

Extension Pole

These lightweight aluminum extensions are constructed with inner core ribs which reinforce the pole & greatly increase their rigidity. The inner core rib construction allows different length poles to be easily coupled together up to 12', while maintaining the proper rigidity to suit most job conditions.

- Reach high out-of-the-way places when spray or pressure rolling.
- Adapts to most airless guns.
- Includes 310-062 extension pole coupling.
- Pressure rated at 3600 PSI (25 MPa).

1.5' (.46 m) Pole

3' (.9 m) Pole

6' (1.8 m) Pole

Product No. 310-381-1

Product No. 310-383-1

Product No. 310-386-1

3' Extension Pole with Swivel Head, 7/8" Nut

6' Extension Pole with Swivel Head, 7/8" Nut

Product No. 310-390

Product No. 310-391



Angle Adapter Assembly

Adapt any extension pole to any standard airless gun. Because of its right-angle design, the angle adapter allows the pole to extend from the gun at the same angle as the handle. The result is greater efficiency & comfort. Pressure rated at 3600 PSI (25 MPa).

Refer to the retaining nut chart on this page to select the proper nut size to adapt to your airless gun.

Product No. 310-072-1



Extension Pole Coupling

Allows you to connect different length extruded poles together to create different lengths for any application. (Do not exceed 12')

Product No. 310-062



6' Outrigger

- Convert existing gun to 6' (2m) pole gun & back in seconds.
- Allows you to increase production & profits.
- Constructed of lightweight & rigid aluminum to reduce arm fatigue.
- Large, gun installation holder & knob.
- No additional hoses or fittings required.
- Adapts to all Titan airless spray guns & most manufacturers airless spray guns.

Product No. 757-920



LX-75 Pole Guns

- All metal construction.
- Full length needle ensures positive shut-off at tip.
- Pressure rated at 3600 PSI (25 MPa).
- Reach those high, out-of-the-way places that normally require the use of a ladder or scaffolding.
- Gun swivel
- In-handle filter.
- Ergonomic design

4' Pole Gun	550-495
8' Pole Gun	550-500
Repair Kit No.	550-487



LX-70 In-Line Gun

- All metal construction.
- “In-line” design is a natural extension to any pole.
- In-handle filter.
- Swivel reduces hose kinks and ensures effortless control.
- Pressure rate at 3600 psi (25 MPa).

Product No.	550-475
Repair Kit No.	550-487



i-remote Universal Remote Control

- The first in the industry.
- Operates over 100 feet away from unit — through walls, trees and other obstacles.
- Increase or decrease the pressure — without climbing down off the ladder or scaffold.
- Ability to turn sprayer ON and OFF; eliminates sprayer “run away” when you run out of paint by stopping sprayer quickly— extending your piston and packing life.
- Universal remote control operates most manufactures electronic pressure controlled sprayers.
- Works on i, ix & Advantage series sprayers

i-remote & Receiver	Product No. 800-690
Remote Only	Product No. 800-691
Receiver Only	Product No. 800-692



TITAN™ ROLLERS

The speed of a sprayer and the control of a roller in one package

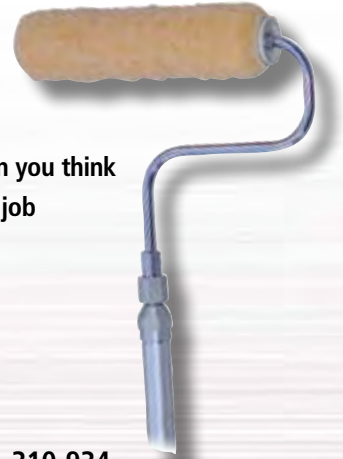
Every painting contractor has worked with a roller. It's an efficient and controlled way to apply paint. But it's also much slower than a sprayer – up to 40% of your labor time is spent charging the roller with paint. What if you could combine the two? TITAN has the answer.

Inner Feed Rolling



Inner Feed Pressure Roller

Instead of dipping the roller into the paint, why not feed the paint into the roller? You get the best of both application worlds, increasing the speed and efficiency of your work – saving time and making a lot more money. It's much easier than you think and TITAN has the equipment that lets you get the job done right.



- Up to 40% faster than standard roller application
- The roller never leaves the surface
- Easy to use and easy to clean up

9" (22.7 cm) Roller Head	Product No. 310-934
Inner Feed Repair Kit	Product No. 310-905

Inner Feed Pressure Kit Includes:

- 3' Pole.
- 90° Angle Adapter.
- Inner Feed Roller Head Assembly.
- 1/2" x 9" High Quality Inner Feed Roller Cover.
- Fits Onto Any Airless Gun.

9" Pressure Roller Kit	Product No. 310-150
------------------------	---------------------

Telescoping Pressure Roller (Low Pressure)

- For high production paint applications where spraying is impractical.
- Patented auger head design evenly distributes coating for a professional finish every time.
- Comes with light weight aluminum adjustable pole with a working pressure of 1200 PSI (8.3 MPa).
- The exclusive telescoping roller design has a large collar that allows you to quickly adjust the length of the pole from 3'-6' (.9 m - 1.8 m).
- Also includes Titan's LX-70 In-Line Gun which features an all metal design & a filter in the handle for a superior finish & extended life.

Telescoping Pole Only	Product No. 310-938
LX-70 Telescoping Roller Kit with 9" (23 cm) Roller Head 1/2" (1.3 cm) nap	Product No. 310-950

(Caution! Do not use for spray applications.)

Spray Roller

On rough, porous surfaces like stucco and concrete block many contractors apply the coating with a sprayer and then back-roll it into the surface. It can be messy (lots of overspray) and time consuming (you need two workers to do it). Now imagine what it would be like to spray AND roll at the same time. You save time and make money. That's what TITAN is all about.

- Ideal for very porous and rough surfaces
- Spray on the down-stroke and roll on the upstroke
- Saves both time and money

9" Spray Roller Head Assembly

Product No. 310-049



Spray Roller Kit Includes:

- 3' Pole.
- 90° Angle Adapter.
- Spray Roller Head Assembly.
- 1/2" x 9" High Quality Roller Cover.
- Fits Onto Any Airless Gun.

Spray Roller Kit

Product No. 310-160

3-in-1 Spray/Roll Application Kit

The Spray/Roll Application Kit offers the proper airless spray painting tools for just about every possible painting condition. It's the first complete application kit created for professionals. By selecting the proper combination of tools, the professional painter can choose to either spray, spray & back-roll or simply roll.



Includes:

- LX-70 In-Line Gun.
- 3' (9 m) Extruded Pole.
- Swivel Head Assembly.
- 9" (23 cm) Spray Roller Head Assembly.
- 9" (23 cm) Pressure Roller Head Assembly.

Application Kit

Product No. 310-110

Roller Head Replacement Covers

Spray Roller Replacement Covers

Size	Nap Thickness	Product No.
9" (23 cm)	1/2" (1.2 cm)	311-050-9
9" (23 cm)	3/4" (1.9 cm)	311-075-9
9" (23 cm)	1-1/4" (3.1 cm)	311-125-9

Inner Feed Pressure Roller Replacement Covers

Size	Nap Thickness	Product No.
9" (23 cm)	3/8" (.81 cm)	312-037-9
9" (23 cm)	1/2" (1.2 cm)	312-050-9
9" (23 cm)	3/4" (1.9 cm)	312-075-9
9" (23 cm)	1-1/4" (3.1 cm)	312-125-9



TITAN™ HOSES

The right equipment for the right job

Just a commodity? Think again. A hose that fails or bursts can cost you time, paint and worse. There is a lot of pressure in that hose and you need reliability. You need TITAN – the industry leader in top-shelf paint hoses and flexible whips.

- Solid urethane construction designed to withstand time and pressure
- Easy to coil and uncoil
- Wide variety of diameters and lengths

Extended Length



High Quality Airless Hose

- Urethane cover is bonded to an inner nylon braid making it highly flexible & kink resistant.
- Conductive tube design for proper grounding.
- Durable abrasion-resistant urethane cover resists wear.



Part No.	I.D.	Length		Maximum Working Pressure		End Connection
		Feet	Meters	PSI	MPa	
0291007	3/16"	25	7.6	3300	22.8	1/4" NPSM (FBE) Swivel
0291008	3/16"	50	15.2	3300	22.8	1/4" NPSM (FBE) Swivel
316-513	1/4"	25	7.6	3300	22.8	1/4" NPSM (FBE) Swivel
316-505	1/4"	50	15.2	3300	22.8	1/4" NPSM (FBE) Swivel
250-114*	1/4"	50	15.2	4500	31	1/4" NPSM (FBE) Swivel
250-614*	1/4"	25	15.2	7400	51	1/4" NPSM (FBE) Swivel
0508342	3/8"	25	7.6	3300	22.8	1/4" NPSM (FBE) Swivel
690-375-50	3/8"	50	15.2	3300	22.8	3/8" NPSM (FBE) Swivel
250-538*	3/8"	50	15.2	5400	37	3/8" NPSM (FBE) Swivel
225-112*	1/2"	25	7.6	3000	20.7	1/2" NPSM (FBE) Swivel
250-112*	1/2"	50	15.2	3000	20.7	1/2" NPSM (FBE) Swivel
250-512*	1/2"	50	15.2	5100	35.2	1/2" NPSM (FBE) Swivel
250-638*	3/8"	50	15.2	7400	51	3/8" NPSM (FBE) Swivel

Airless Fluid Hose Whips



5' Whip Hose



9' Whip Hose

Part No.	I.D.	Length		Maximum Working Pressure		End Connection
		Feet	Meters	PSI	MPa	
550-240	3/16"	3	0.9	3300	22.8	1/4" NPSM (F/M) Swivel
316-506	3/16"	5	1.5	3300	22.8	1/4" NPSM (F/M) Swivel
550-222	3/16"	9	2.7	3300	22.8	1/4" NPSM (F/M) Swivel
550-221	3/16"	15	4.5	3300	22.8	1/4" NPSM (F/M) Swivel
203-514*	1/4"	3	0.9	4500	31.0	1/4" NPSM (FBE) Swivel
550-227	1/4"	6	1.8	3300	22.8	1/4" NPSM (F/M) Swivel
316-533*	1/4"	6	1.8	3300	22.8	1/4" NPSM (FBE) Swivel

- * Textile Braid - Spring guards at both ends
- NPT - National Pipe Tapered Thread
- NPSM - National Pipe Straight Mechanical Thread

- FBE - Female Both Ends
- MBE - Male Both Ends
- F/M- 1 Female / 1 Male Connection

Hose Cover

Protect your airless hose from paint and abbrasion damage with a durable 4 mil poly hose cover. Comes in 1000 feet lengths with peferation every 50 feet to fit any length of hose.



Hose Cover

Product No. 0521424

*Hose not included

Reel EZ Hose Reels

- The Reel-EZ virtually eliminates hose hassles & increases your production. The Reel-EZ 16 mounts to the frame of all Titan & Speeflo cart style paint sprayers with a heavy duty universal mounting bracket. The Reel-EZ 10 mounts to the frame of all Titan skid style paint sprayers such as the 440i. Both the Reel-EZ 16 & Reel-EZ 10 mount to most major manufacturer's paint sprayers with similar designs.
- The Reel-EZ 16 can hold up to 100' (30.5 m) of 1/4" airless hose & the Reel-EZ 10 can hold up to 50' (15.2 m) of 1/4" airless hose. Both are rated at 3600 psi (25 MPa).



Reel-EZ 16" Cart-Mount

Product No. 769-100

Reel-EZ 10" Skid-Mount

Product No. 769-200

High Pressure Fluid Gauge Kit

Includes: 5000 PSI (34.5 MPa) high pressure fluid gauge attached to a T-Fitting with one 1/4" (M)(.63cm) fitting & one 1/4" (F)(.63cm) fitting.



Fluid Gage Kit

Product No. 730-397

Fluid Gauge Only

Product No. 730-394

High Pressure Swivels

- Pressure rated at 5000 PSI (34.5 MPa).
- Reduce the chance of hose kinks, extend hose life.
- Reduce effort when coiling & uncoiling hose.
- Less arm fatigue when attached to gun.
- Patented ball bearing design.



500-424



500-428

Gun-To-Hose/Hose-To-Pump

1/4" (.63 cm) NPS (F) x 1/4" (.63 cm) NPS (M)

Product No. 500-428

Hose-To-Hose

1/4" (.63 cm) NPS(M) x 1/4" (.63 cm) NPS(M)

Product No. 500-424

TITAN™ LIQUIDS

No matter what the sprayer – hydraulic, gear driven, gas-powered or electric – if you want a long service life you will need to care for it with the same attention you care for your own car or truck. That means changing the oil, lubricating the piston, cleaning the unit, the gun and the tip. TITAN has all the products you need to keep your accessories and equipment clean and functioning in top condition.

- Specially formulated for all sprayers, accessories and equipment
- Maintain clean and efficient operation for better profit
- Prolong the life of your investment

Start up



Clean up



LS-10 Liquid Shield Plus

- Cleans & protects your spray system against rust & corrosion.
- Extends the life of your pump.
- With anti-freeze protection.

Size	Product No.
1 qt. bottle	314-482
4 oz. bottle	314-483



PumpShield

Cover your sprayer to prevent paint overspray from sticking to it. Keeps your sprayer looking new

Size	Product No.
12 oz. bottle	0297055



Tip Clean

- Hour-glass design allows easy cleaning of all airless tips and safe storage.
- Cleaning fluid removes contamination and paint residue, ensuring best spraying results.

Size	Product No.
7 ozs. / 200ml	314-207



Piston Lube

- Specially formulated to prevent materials from adhering to the piston rod.
- Suitable for use with most airless piston pumps.

Size	Product No.
8 oz. bottle	314-480
4 oz. bottle	314-481
1 qt. bottle	700-926



Paint Mate

Water-based coating additive that significantly improves atomization with HVLP sprayers without compromising the integrity of the coating.

Size	Product No.
1 qt. bottle	0508071
1 qt. bottle (case of 6)	0508069



Coolflo™

• Hydraulic Fluid for PowrTwin & Hydra sprayers.

Size	Product No.
1 qt. bottle	430-362
1 gallon	430-361
1 qt. bottle (case of 12)	430-363



Grease

• Specially designed for gear boxes.

14 oz. Can	Product No. 314-171
6 lb. Can	Product No. 9870307



Part Renu

- Safely removes paint from spray guns and sprayer accessories
- Non-flammable water based cleaner is environmentally safe, odor free – will not burn skin.
- Easily washes off with water
- Easy to use strainer included in the starter kit.

Size	Product No.
1 gallon Part Renu	Product No. 0521423
5 gallon Starter Kit	Product No. 0521010



Air Care

- Specially formulated to prevent corrosion in air motors.
- Suitable for use with most air driven sprayers.

Size	Product No.
1 qt. bottle	311-101
1 qt. bottle (case of 12)	311-103



TITAN™ MANIFOLDS

Spraying is more than just hooking up a hose. Sometimes the situation calls for extending hose length or altering the angle of the hose connected to the sprayer. That's when you need TITAN manifolds and fittings.

- We have a fitting for every job
- Manufactured from quality stainless steel
- Engineered for durability and long life

Commercial



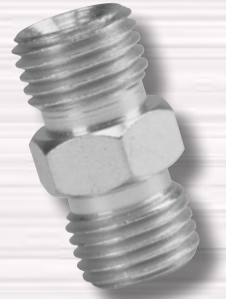
90° Street Elbows

Description	Product No.
3/8" NPT(F) X 3/8" NPT(M)	818-002
1/2" NPT(F) X 1/2" NPT(M)	818-003
3/4" NPT(F) X 1/2" NPT(M)	818-011
3/4" NPT(F) X 3/4" NPT(M)	818-010
1-1/4" NPT(F) X 1-1/4" NPT(F)	818-008



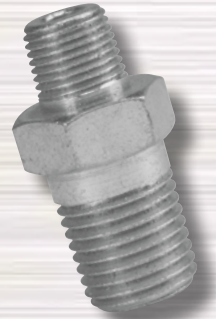
Hose To Hose Couplings

Description	Product No.
1/4" NPS(M) X 1/4" NPS(M)	490-012
1/4" NPS(M) X 3/8" NPS(M)	490-016
3/8" NPS(M) X 3/8" NPS(M)	490-014
1/2" NPS(M) X 1/2" NPS(M)	816-003



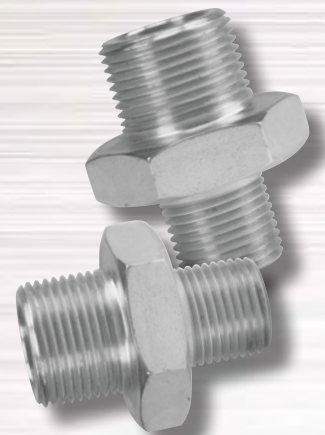
Manifold To Manifold Couplings

Description	Product No.
1/8" NPT(M) X 1/4" NPT(M)	931-029
1/4" NPT(M) X 1/4" NPT(M)	490-002
1/4" NPT(M) X 3/8" NPT(M)	490-006
3/8" NPT(M) X 3/8" NPT(M)	814-004
3/8" NPT(M) X 1/2" NPT(M)	814-005
1/2" NPT(M) X 1/2" NPT(M)	814-006
1/2" NPT(M) X 3/4" NPT(M)	101-201
3/4" NPT(M) X 3/4" NPT(M)	814-007



Manifold To Hose Couplings

Description	Product No.
1/8" NPT(M) X 1/4" NPS(M)	490-001
1/8" NPT(M) X 3/8" NPS(M)	654-016
1/4" NPT(M) X 1/4" NPS(M)	227-006
1/4" NPT(M) X 3/8" NPS(M)	804-555
1/4" NPT(M) X 1/2" NPS(M)	814-003
3/8" NPT(M) X 1/4" NPS(M)	812-003
3/8" NPT(M) X 3/8" NPS(M)	808-555
3/8" NPT(M) X 1/2" NPS(M)	815-005
1/2" NPT(M) X 1/2" NPS(M)	228-002
1/2" NPT(M) X 3/4" NPS(M)	804-201
3/4" NPT(M) X 1/2" NPS(M)	814-555



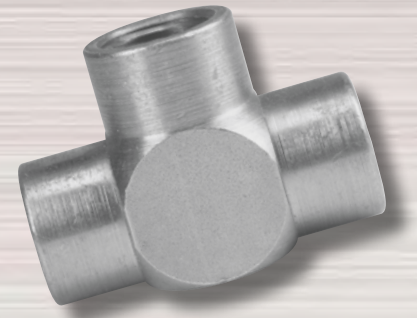
Reducer Bushings

Description	Product No.
3/8" NPT(M) X 1/8" NPT(F)	929-060
3/8" NPT(M) X 1/4" NPT(F)	817-001
1/2" NPT(M) X 1/4" NPT(F)	929-061
1/2" NPT(M) X 3/8" NPT(F)	541-009
3/4" NPT(M) X 1/4" NPT(F)	929-062
1" NPT(M) X 3/4" NPT(F)	929-076
1-1/4" NPT(M) X 3/4" NPT(F)	929-078
1-1/4" NPT(M) X 1" NPT(F)	929-077



Pipe Tees

Description	Product No.
1/4" NPT (F)	970-023
3/8" NPT (F)	817-002
1/2" NPT (F)	817-003
3/4" NPT (F)	817-004



Swivel Union

Description	Product No.
1/4" NPS(F) X 1/4" NPT(M)	490-005
3/8" NPS(F) X 1/4" NPT(M)	490-042
1/4" NPS(F) X 3/8" NPT(M)	490-032
3/8" NPS(F) X 3/8" NPT(M)	490-043
1/2" NPS(F) X 1/2" NPT(M)	200-555
3/4" NPS(F) X 3/4" NPT(M)	138-037
3/4" NPS(F) X 1/2" NPT(M)	200-557
1" NPS(F) X 1" NPT(M)	200-556



Pipe Plugs

Description	Product No.
1/8" NPT (M)	227-030
1/4" NPT (M)	227-027
3/8" NPT (M)	227-033
1/2" NPT (M)	210-023
3/4" NPT (M)	210-038



Steamer



DT Steamer

A powerful, commercial steamer with minimal service and maximum ROI.

The DT Steamer turns a quick investment in to a fast return. With the Dual Tank technology, you are able to be working in under 5 minutes. With the large and small steam plates included, you can cover large areas or small areas between trim and doors.



Max. Capacity tank:	1.5 gallons
Power:	1500 watts
Hose / Cord:	16 ft electrical cord / 16 ft hose
Steam Time:	3 hours
P/N:	0282009

Paint Removal



PaintEater®

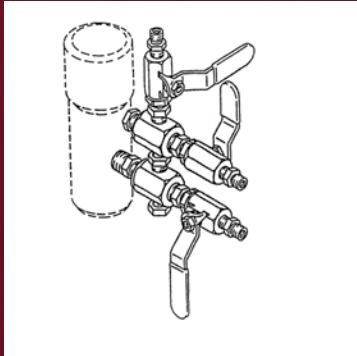
Aggressive on paint, gentle on siding and trim.

The PaintEater efficiently removes peeling paint from siding and trim as well as concrete block, steel and other masonry. It delivers professional results with amazing speed and ease.

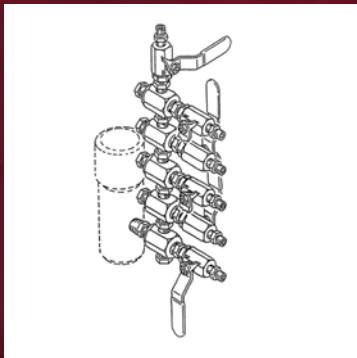
Part No. 0513055



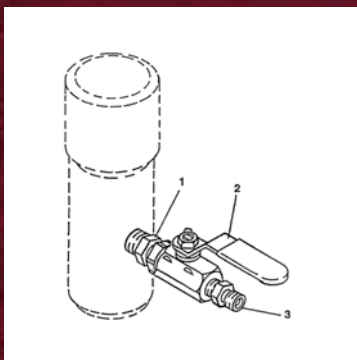
TITAN™ MODULAR MANIFOLDS



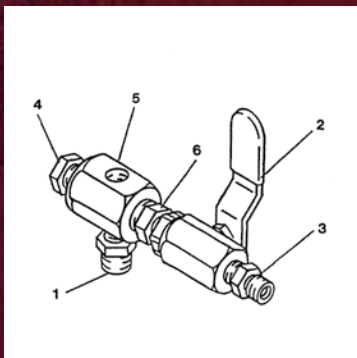
3-GUN
MANIFOLD ASSEMBLY



6-GUN
MANIFOLD ASSEMBLY



1-GUN ADD-ON KIT



ADD-A-GUN KIT

Gun Manifold Assemblies

1/4" Multiple Gun Manifold Assemblies*

Part Number	Part Number	975-212 2-Gun 1/4"	975-213 3-Gun 1/4"	975-214 4-Gun 1/4"
975-111	1-Gun Add on 1/4"	1	1	1
975-200	Add-A-Gun Kit 1/4"	1	1	3

*Hose Connection is 1/4" NPSM(M)

3/8" Multiple Gun Manifold Assemblies*

Part Number	Part Number	975-312 2-Gun 3/8"	975-313 3-Gun 3/8"	975-314 4-Gun 3/8"
975-311	1-Gun Add on 3/8"	1	1	1
975-300	Add-A-Gun Kit 3/8"	1	1	3

*Hose Connection is 3/8" NPSM(M)

Gun Add On Kits

Gun Manifold Assemblies

Item No.	Part No.	Desc.	975-111 1-Gun Add-On 1/4"	975-311 1-Gun Add-On 3/8"	975-200 Add-A-Gun 1/4"	975-300 Add-A-Gun 3/8"
1	814-002	Nipple, Hex	1		1	
1a	814-004	Nipple, Hex		1		1
2	940-553	Valve, Ball	1		1	
2a	941-555	Valve, Ball		1		1
3	227-006	Nipple, Hex	1		1	
3a	808-555	Nipple, Hex		1		1
4	227-033	Plug, Pipe			1	1
5	970-100	Block, Manifold		1	1	
6	814-004	Nipple, Hex		1	1	

TITAN™

Advanced Performance. Total Reliability.

Airless Accessories

Titan is your complete accessory source for Gas and Electric Sprayers



TITAN™

Advanced Performance. Total Reliability.

Sold exclusively through professional distributors

Titan Tool, Inc.
1770 Fernbrook Lane
Minneapolis, MN 55447
1-800-526-5362
Fax 1-800-528-4826

**International Sales
Titan Tool, Inc.**
1770 Fernbrook Lane
Minneapolis, MN 55447
1-201-337-1240
Fax 1-201-405-7449

Titan Tool of Canada
200 Trowers Road, Unit 7B
Woodbridge, Ontario L4L-5Z8
1-800-565-8665
Fax 1-905-856-8496

Visit us on the web at: www.titantool.com
Call Tech Services at 1-800-526-5362 for complete warranty information.

All information contained in this brochure is based on the latest information available at time of printing. Titan reserves the right to make changes at any time, without notice.

Due to product branding conversions, units may be changing over time. Please call your local distributor, sales rep, or Titan customer service line for specific details