



Putzmeister

Fine plaster spraying machines and paint pumps for painters and plasterers

Catalogue 2010/2011



Putzmeister

Our catalogue as an aid to work

This year's complete catalogue of more than 40 pages will show you the complete range of fine plaster spraying machines and paint pumps from Putzmeister Mörtelmaschinen GmbH.

Here you will find everything we have to offer: delivery pumps, powerful compressors, washing systems and of course the right accessories.

There is an extra catalogue for our extensive range of powerful plastering machines, fine concrete pumps and screed conveyors for construction-site use (MM 2599) as well as for professional Dynajet® high-pressure cleaners (MM 3474). Please feel free to request a copy.

Easy to search for, easy to find

The machine chapter starts with a practical **summary table**. Here we guide you from the application to the right machine. So you will know which machine is the right one for you.

Each machine is described in detail, with all its important technical data. Here we ask you to note that we have to reserve the right to make technical changes, and also that the performance details are guideline figures and are therefore subject to alteration.

Ideas and suggestions

We are grateful for ideas and suggestions on how we can improve the way we design the catalogue even better in future. Simply write to:

Putzmeister Mörtelmaschinen GmbH
Subject "Fine plaster spraying machines and paint pumps"
Max-Eyth-Straße 10
D-72631 Aichtal · Germany

And if you want to know more about us, just get in touch:

Telephone: +49 (071 27) 599-699

Write an eMail to: **mm@putzmeister.de**

or pay us a visit on the Internet: **www.mortarmachines.com**

Content

General Overview

Application overview delivery pumps 8-9

Delivery pumps

Strobot 204 S 10-13



Spiral conveyor Strobot 401 S 14-15



Strobot 401 S 110 V 16-19



Strobot 406 S 20-23



Spare parts for Strobot delivery pumps and spiral conveyors 24

Compressors

Strocomp 433/ 864 25



Continuous mixer

Stromixer D 1000 26-27



Tool washing systems and water preparation plant

Strobber WA 800/ WA 1500 28-29



Strobber WA 800-B 30



Strobber WAB 31



Accessories for Strobot delivery pumps 32-39



Putzmeister worldwide 40-41

Conditions of sale and delivery 42-43

Welcome to Putzmeister...



The Putzmeister Group

We form part of the globally active Putzmeister group. With several subsidiaries throughout the world, the Putzmeister Group is represented on all global markets and is a real international player.

Our main focuses are on the manufacture of machines for the distribution of concrete, mortar, and high-density substances. In this way, companies of the Putzmeister group are active in business segments in many different areas:

- Concrete pumps
- Plant engineering
- Tunnelling machinery
- Large robot technology
- Mortar machines
- High-pressure cleaners
- Coating technology (fine plastering machines and paint pumps)

... in Aichtal, near Stuttgart. This is where our headquarters are located – but our ideas for technical solutions are formulated on construction sites. That's where it's all about making work easier and more efficient.

Whether you're working with mortar, screed, fine concrete, or paint, we can help with mixing, pumping, application, and spraying tasks. Practical innovations have made us great. And our machines are used throughout the world.

Putzmeister Mörtelmaschinen GmbH

develops, produces, and delivers one of the world's most extensive ranges of powerful, site-optimised plastering machines and screed conveyors, fine plastering machines and paint pumps as well as professional Dynajet high-pressure cleaners.

As a wholly-owned subsidiary of the Putzmeister Group, we are able to offer you, our customers and sales partners, ideal conditions when it comes to expertise, investment security and optimum service in all sectors.



Aichtal: 21,500 m² of space for producing excellent Putzmeister quality



Countless honours and awards are a testament to the pioneering role of the Putzmeister group and the vision of our company founder Karl Schlecht.



The Putzmeister group: at home all over the world

Quality “Made in Germany”

Extremely modern production facilities in Aichtal

The new assembly hall makes use of a line production system which is linked to numerous throughput stations.

The production plant in Aichtal near Stuttgart offers 9000 m² of extremely modern facilities for the production of compressed air conveyors, mixing pumps, piston pumps, worm pumps, fine plastering machines and paint pumps and the entire professional high-pressure cleaning range of the Dynajet® brand. All work steps are standardised and guarantee consistently great quality with regard to processing and the performance of the finished products.



- 1 The fittings of the Stromixer are prepared for assembly
- 2 Manufacture of Strobot delivery pumps
- 3 Assembly of a water preparation plant



Quality Assurance

Our quality management measures start with the vitally important selection of ISO-certified suppliers and continue with the regular checking of these suppliers.

Each machine is started up and tested immediately after assembly. If the test is successful, it is sent on for a final inspection.

During the final production inspection, each machine is optimally adjusted one last time. We test our machines in continuous operation, checking all functions such as safety devices. In this way, we ensure that you receive a reliable Putzmeister product in perfect condition.



Technology with more value

However, sophisticated technology isn't everything: In addition, we try to make sure that our contact with customers, sales partners, and suppliers is pleasant and beneficial for both sides.

- Area-wide network of competent and helpful sales partners
- Good quality, comprehensible technical documents
- A willingness to listen to questions or problems
- Fast, uncomplicated order processing
- Quick delivery times for machines and replacements/wearing parts
- Friendly and competent employees
- Fair pricing

Investing for the future

We also want to meet both your and our expectations in the future. This is why we continuously invest in qualified and committed employees. Excellent quality is simply not possible without them.

We consistently continue to back the latest computerised plants and technology. Without them, it simply would not be possible to develop and manufacture top-quality products and to deliver them without faults.

We also intensively cultivate contacts with our customers, suppliers and sales partners throughout the world.



Spraying, rolling ... with a system, with ideas, with Putzmeister

Whatever it is that you wish to achieve, we have the right machine for the job... from beginning to end.

We offer a selection of machines and accessories which is unique and fully provides the needs of painters and plasterers. Whether you wish to roll or spray paint or spray filling compound or fine plaster, the number of different applications for our fine plaster spraying machines and paint pumps is almost infinite.

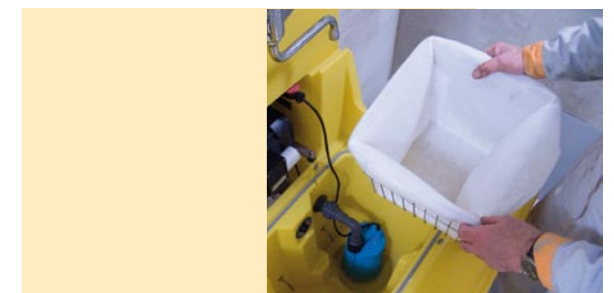
Spraying
of fine plaster, coatings, acoustic spray plaster, sprayable filling compounds, concrete bonder and primers



Pressing and injecting mortar and plaster and **filling and pointing** mortar



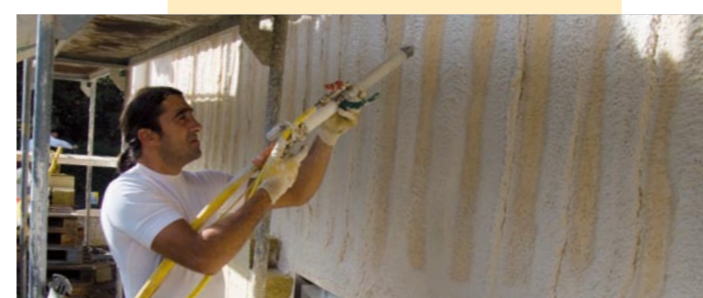
Rolling and spraying paint
Emulsion paint, silicone house paint and mineral paint



EIFS (external insulation and finishing system) for bonding, reinforcing and coating on surfaces



Cleaning
of rollers, worm pumps and tools with the Strobber washing system



Application survey delivery pumps

The Strobot delivery pumps from Putzmeister are very light, manageable and easy to use. The output can be adjusted infinitely for each use.

This table is valid under average conditions. Depending on the material to be processed, one or other supplements may be necessary. The materials used must be compatible with the machines.

Very suitable  Suitable  Not suitable 

	Delivery pump			Compressor		Mortar hose						Spray gun					Nozzle	Stator		Rotor
	Strobot 204 S	Strobot 401 S 110 V	Strobot 406 S	Strocomp 433	Strocomp 864	NW 19 PM-Coupling	NW 25 PM-Coupling	NW 25 15 m Geka	NW 25 10 m Geka	NW 19 15 m Geka	NW 19 3 m Geka	Small	Large	Elbow joint	Extension 80 cm	Base plaster spraying		MK 20 (204 S)	EW 40 (401 S/406 S)	
Acoustic spray plaster	—	●	●	◐	●	—	●	—	●	—	—	—	●	—	◐	—	∅ 10 mm ∅ 12 mm	—	●	Standard
Acoustic/ Decorative plaster	●	●	◐	●	●	●	●	◐	◐	●	◐	●	◐	—	●	—	∅ 5 mm ∅ 6,5 mm	●	◐	Chromed
Spray-on wood chip	●	●	◐	◐	●	●	●	◐	◐	●	—	●	◐	◐	●	—	∅ 6,5 mm ∅ 8 mm	●	◐	Standard
Artificial resin-silicate plaster up to 3 mm	●	●	◐	●	◐	●	●	●	◐	●	◐	●	◐	●	—	—	∅ 6,5 mm ∅ 8 mm ∅ 10 mm	●	◐	Standard
Artificial resin-silicate plaster up to 6 mm	—	●	●	◐	●	—	●	●	◐	—	—	—	●	●	—	—	∅ 8 mm ∅ 10 mm	—	●	Standard
Mineral plaster up to 2 mm	—	●	●	●	●	—	●	●	●	—	●	●	◐	●	—	—	∅ 10 mm ∅ 12 mm	◐	●	Standard
Mineral plaster up to 5 mm	—	●	●	●	●	—	●	●	●	—	◐	◐	●	●	—	—	∅ 14 mm ∅ 16 mm	—	●	Standard
Applying filler	◐	●	●	◐	●	●	●	●	●	●	●	●	◐	◐	◐	—	∅ 6 mm ∅ 8 mm	◐	●	Standard
Dabbling filler	●	●	●	◐	●	●	●	●	◐	●	●	●	◐	◐	—	—	∅ 6 mm ∅ 8 mm	◐	●	Standard
Grouting/ Injecting	—	●	●	—	—	—	●	●	●	—	—	—	—	—	—	—	—	—	●	Standard
Reinforcing upgraded insulation	◐	●	●	◐	●	—	●	●	●	—	●	—	●	●	—	—	∅ 8 mm ∅ 10 mm ∅ 12 mm	◐	●	Standard
Bonding upgraded insulation	◐	●	●	—	—	—	●	●	●	—	●	—	—	—	—	—	—	—	●	Standard
Bedding mortar	—	●	●	—	—	—	●	●	●	—	—	—	—	—	—	—	—	—	●	Standard
Rolling paint	●	●	●	—	—	—	●	●	●	—	—	—	—	—	—	—	—	●	●	Standard

Delivery pump Strobot 204 S

Delivery rate 0 to 5 l/ min



Fig. shows Strobot 204 S with 30 l material hopper

Fig. shows Strobot 204 S with 70 l high material hopper

The Strobot 204 S is the smallest delivery pump in the Strobot series. The maximum output is 5 l/ min, and it is very compact and easy to use. The motor speed is controlled either by rpm control or by pressure and ensures a constant delivery rate and thus an even spray pattern.

The delivery pump can be conveniently controlled from the spray gun. If you want to have a break, simply press a button and the Strobot stops. To restart simply press the button again and the machine starts running.

And if your work slows down due to a material blockage, the reverse will reduce the pressure in the hose.

Series equipment Strobot 204 S – 70 l

Delivery pump Strobot 204 S, tube chassis 1 braking wheel, protection grid, 70 litre material high hopper, tool box with cleaning and tool set consisting of: 1 x 3/4" IT bayonet connection, 1 x 1" IT bayonet connection, 2 cleaning balls each for 19 mm diameter mortar hose and 25 mm diameter mortar hose, 1 jet bit with holder, 2 x SW 5/ SW 6 inbus keys with 1 puller bolt and 1 jacking bolt with covering disk, 1 chamfer checker, 1 cleaning tap with 2 bayonet connections, operation manual

Part no. 111 531.002

Series equipment Strobot 204 S – 30 l

identical to 70 l version, but with 30 litre material hopper

Part no. 111 531.041

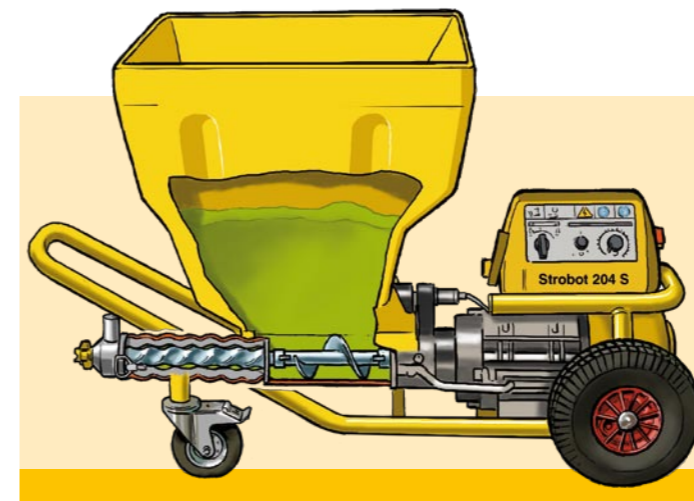


The design of the Strobot series has a whole range of advantages when it comes to transport and use. For example, the delivery pump can be stored upright in order to save space.

The practical and comfortable control panel on the Strobot 204 S – easy to handle and operate.

You can fully dismantle the Strobot 204 S – in just a few easy steps.

Technical data	Strobot 204 S	
Type	worm pump	
Working pressure	up to 25 bar/ 363 PSI	
Pressure outlet	GEKA claw coupling	
Delivery rate	0 to 5 l/ min (infinitely variable)	
Delivery height/ distance	up to 12 m/ up to 25 m	
Granulation max.	3 mm (depending on material)	
Pump (Rotor/stator)	FH 20/ MK 20	
Motor	230 V/ 50 Hz, 0.55 kW at 3,000 rpm	
Hopper volume	70 l	30 l
Weight	35 kg	
Length	102 cm	
Width	58 cm	
Height (fill height)	77 cm	53 cm
Part no.	111 531.002	111 531.041



You can find suitable accessory kits on the next double page, and more accessories from page 32 onwards.

Suggested accessories for Strobot 204 S



Spraying organic bonded fine plaster (up to 3 mm grain size)

Description	Part no.
■ Set with 15 m hose combination consisting of:	470 459
- Mortar hose, 19 mm diameter, 15 m length with 2 locking bayonet connections	470 458
- Air hose, 10 mm diameter, 25 m length	462 721
- Fine plaster spray gun, small with 6.5 mm nozzle and 8 mm nozzle	463 733
- Hose holder	462 704
- Remote control cable, with indication lamp, 16 m	470 350
Optionally available:	
Remote control cable with toggle switch	532 602
■ Elbow joint, small for fine plaster spray gun, small	470 181



Paint rolling

Description	Part no.
■ Set with 15 m hose combination consisting of:	470 464
- Material hose, 13 mm diameter, 15 m length with 2 bayonet connections	462 718
- Roller extension pipe, 30 cm length	462 708
- Paint roller distributor made of aluminium, 25 cm wide	462 710
- Karalon roller, padded	470 625
- Hose holder	462 704



Spraying paint

Description	Part no.
■ Set with 15 m hose combination consisting of:	470 462
- Material hose, 13 mm diameter, 15 m length with 2 bayonet connections	462 718
- Remote control cable extension, 16 m	462 719
- Air hose, 10 mm diameter, 25 m length	462 721
- LM 2000 paint spray gun with nozzle set 2.5 mm	462 724
- Hose holder	462 704
Optionally available:	
Remote control cable with toggle switch	532 602



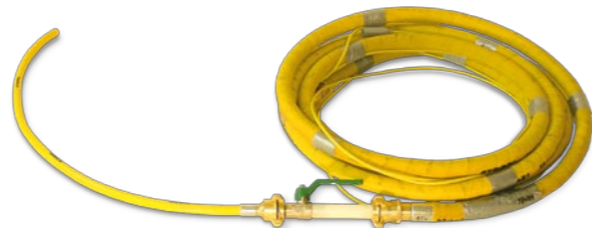
Spraying of primer for absorbent substrates (gun)

Description	Part no.
■ Set with 20 m hose combination consisting of:	470 627
- Material hose, 13 mm diameter, 20 m length with 2 bayonet connections	462 707
- Spray gun with nozzle no. 2	462 717
- Hose holder	462 704



Spraying of sprayable filling compounds

Description	Part no.
■ Set with 11.5 m hose combination consisting of:	470 461
- Mortar hose, 25 mm diameter, 10 m length with 2 locking bayonet connections	476 045
- Working hose, 19 mm diameter, 1.5 m length with 1 bayonet and 1 locking bayonet connection	470 460
- Air hose, 10 mm diameter, 25 m length	462 721
- Fine plaster spray gun, small with 6.5 mm nozzle and 8 mm nozzle	463 733
- Fine plaster spray gun extension (80 cm) with air hose extension	463 736
- Hose holder	462 704
- Remote control cable, with indication lamp, 13 m	470 355
Optionally available:	
Remote control cable with toggle switch	532 602
■ Bag squeezer for wet material in bags	462 706
■ Elbow joint, small for fine plaster spray gun, small	470 181



Grouting and back-filling

Description	Part no.
■ Set with 7.5 m hose combination consisting of:	470 486
- Mortar hose, 19 mm diameter, 7.5 m length with 2 locking bayonet connections	470 484
- Shut-off valve	470 570
- Hose, 13 mm diameter, 1 m length	470 485
- Hose holder	462 704
- Remote control cable, 10 m with indication lamp	470 358
Optionally available:	
Remote control cable with toggle switch	532 602



Spraying of concrete bonding agent

Description	Part no.
■ Set with 20 m hose combination consisting of:	470 626
- Material hose, 13 mm diameter, 20 m length with 2 bayonet connections	462 707
- Air hose, 10 mm diameter, 25 m length	462 721
- Fine plaster spray gun, small with 6 mm nozzle	471 154
- Fine plaster spray gun extension (80 cm) with air hose extension	463 736
- Hose holder	462 704
- Remote control cable with indication lamp, 21 m	472 866
Optionally available:	
Remote control cable with toggle switch	532 602

Spraying of primer for absorbent substrates (lance)

Description	Part no.
■ Set with 20 m hose combination consisting of:	470 628
- Material hose, 13 mm diameter, 20 m length with 2 bayonet connections	462 707
- Lance for primer for absorbent substrates 1 m length with nozzle no. 2	470 364
- Hose holder	462 704

The sets listed here cannot be extended further (exception: Paint rolling).

Spiral conveyor Strobot 401 S

Delivery rate 0 to 11 l/ min



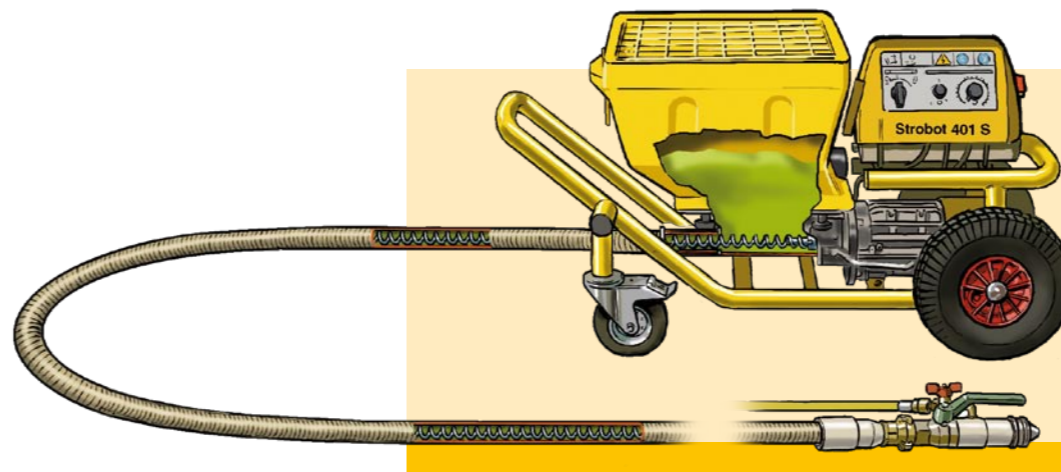
The Strobot 401 S is a special model equipped with a spiral conveyor integrated in the delivery hose instead of a worm pump. The special geometry of this machine is ideal for meeting special requirements of some sound-control plasters such as those manufactured by Baswa, Caparol, Sto., for example.

The spiral conveyor Strobot 401 S is compact, easy to operate and can achieve a maximum output of 11 l/ min. The motor speed is controlled either by rpm control or by pressure and ensures a constant delivery rate and an even spray pattern.

The spiral conveyor can be conveniently controlled from the spray gun. If you want to have a break, simply press a button and the Strobot stops. To restart simply press the button again and the machine starts running.

Series equipment Strobot 401 S

30 litre material hopper, spiral conveyor approx. 6.30 m length, spiral hose approx. 6.15 m length with suction and spray gun adapter, remote control cable approx. 7,3 m, air hose 25 m, extension for fine plaster spray gun with guide pipe 25 - 45 cm for spiral conveyor, 1 fine plaster spray gun, large, short, with nozzle \varnothing 8 mm, tool box with cleaning and tool set consisting of: 1x cleaning tap with 2 bayonet screw connections, 1x 3/4" IT bayonet connection, 1x 1" IT bayonet connection, 2 cleaning balls for 35 mm mortar hose, 1 jet bit with holder, 2x SW 5/ SW 6 inbus keys with 1 puller bolt and 1 jacking bolt with covering disk, operating manual



The control panel allows you to control all the features of your spiral conveyor conveniently and effortlessly.

Technical data	Strobot 401 S
Type	spiral conveyor
Pressure outlet	Geka claw coupling
Delivery rate	0 up to 11 l/ min (infinitely variable)
Delivery height/ distance	up to 6.30 m
Granulation max.	2 mm (depending on material)
Motor	230 - 250 V/ 50 Hz, 1.5 kW at 3,000 Upm
Hopper volume	30 l
Weight	approx. 50 kg
Length	110 cm
Width	58 cm
Height (fill height)	53 cm
Part no.	111 550.041

You can find suitable accessories from page 32 onwards.

Delivery pump Strobot 401 S 110 V

Delivery rate 0 to 11 l/ min



Fig. shows Strobot 401 S 110 V with 30 l material hopper

Fig. shows Strobot 401 S 110 V with 70 l high material hopper

The delivery pump Strobot 401 S 110 V is a universal machine designed specially for countries with a 110 V connection and is suitable for a maximum output of 11 l/ min. It is very compact and easy to use. The motor speed is controlled either by rpm control or by pressure and ensures a constant delivery rate and thus an even spray pattern.

The delivery pump can be conveniently controlled from the spray gun. If you want to have a break, simply press a button and the Strobot stops. To restart simply press the button again and the machine starts running.

And if your work slows down due to a material blockage, the reverse will reduce the pressure in the hose.

Series equipment Strobot 401 S 110 V – 70 l

Delivery pump Strobot 401 S 110 V, tube chassis 1 braking wheel, protection grid, 70 litre material high hopper, tool box with cleaning and tool set consisting of: 1 x 3/4" IT bayonet connection, 1 x 1" IT bayonet connection, 2 cleaning balls each for 19 mm diameter mortar hose and 25 mm diameter mortar hose, 1 jet bit with holder, 2 x SW 5/ SW 6 inbus keys with 1 puller bolt and 1 jacking bolt with covering disk, 1 chamfer checker, 1 cleaning tap with 2 bayonet connections, operation manual

Part no. 111 550.038

Series equipment Strobot 401 S 110 V – 30 l

identical to 70 l version, but with 30 l material hopper

Part no. 111 550.025

Strobot 401 S 110 V with PM-coupling

On request, you can also obtain the delivery pump Strobot 401 S 110 V with material high hopper 30 l or material high hopper 70 l as versions with PM-coupling.

Special tensions

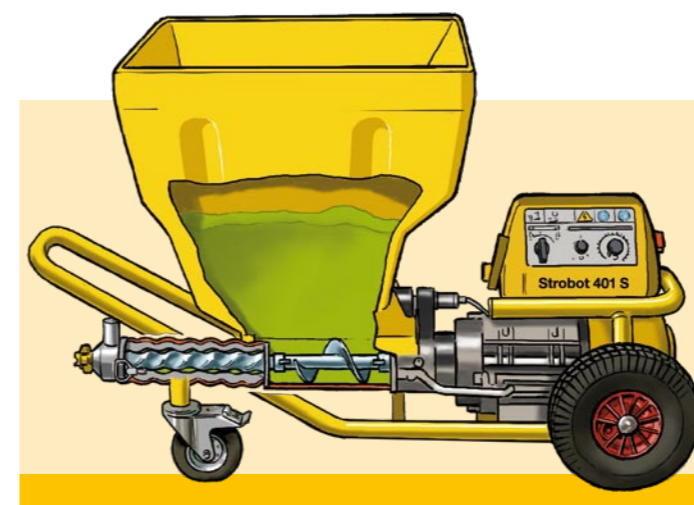
On request, you can also obtain the delivery pump Strobot 401 S as version 230 V/ 50 Hz, etc.



The design of the Strobot series has a whole range of advantages when it comes to transport and use. For example, the delivery pumps can be stored upright in order to save space.

The control panel allows you to control all the features of your delivery pump comfortably and effortlessly.

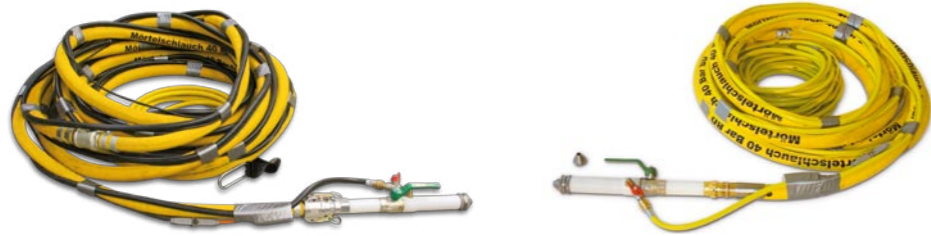
The Strobot 401 S 110 V is easy to dismantle – in just a few easy steps.



Technical data	Strobot 401 S 110 V	
Type	worm pump	
Working pressure	up to 30 bar/ 435 PSI	
Pressure outlet	Geka claw coupling	
Delivery rate	0 up to 11 l/ min (infinitely variable)	
Delivery height/ distance	up to 30 m/ up to 38 m	
Granulation max.	4 mm (depending on material)	
Pump (Rotor/ Stator)	FH 40/ EW 40	
Motor	110 V/ 60 Hz, 1.25 kW at 3,000 Upm	
Hopper volume	70 l	30 l
Weight	approx. 50 kg	
Length	110 cm	
Width	58 cm	
Height (fill height)	77 cm	53 cm
Part no.	111 550.038	111 550.025

You can find suitable accessory kits on the next double page, and more accessories from page 32 onwards.

Suggested accessories for Strobot 401 S 110 V



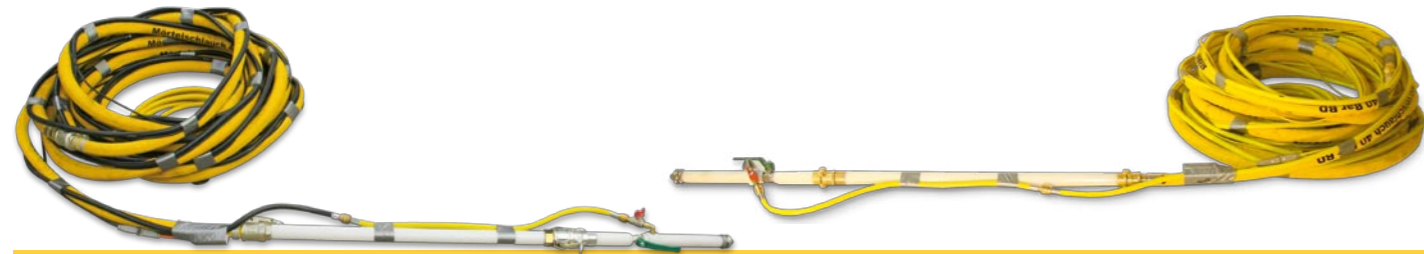
Spraying mineral and organic bonded fine plaster (up to 6 mm grain size)

Complete set with PM-coupling

Description	Part no.
■ Set with 18 m hose combination consisting of:	525 029
- Mortar hose, 25 mm diameter, 15 m length with V25-40 and M25-40 coupling	211 966.001
- Working hose, 19 mm diameter, 3 m length with VST-X25/19R and MST-X25/19R coupling	530 630
- Remote control cable, with indication lamp, 19 m	470 361
- Air hose, 10 mm diameter, 25 m length with intermediate coupling at 18.5 m	470 489
- Hose holder for suspending the 18 m hose combination to the scaffold	462 704
- Fine plaster spray gun, large with rotating joint M25	531 475
- Nozzle ø 8 mm	470 395
- Nozzle ø 10 mm	470 397
Optionally available:	
Remote control cable with toggle switch	532 602
■ Elbow joint, large for fine plaster spray gun, large	462 960

Complete set with Geka claw coupling

Description	Part no.
■ Set with 18 m hose combination consisting of:	470 488
- Mortar hose, 25 mm diameter, 15 m length with 2 locking bayonet connections	476 046
- Working hose, 19 mm diameter, 3 m length with 1 bayonett connection and 1 locking bayonet connection	468 846
- Remote control cable, with indication lamp, 19 m	470 361
- Air hose, 10 mm diameter, 25 m length	470 489
- Fine plaster spray gun, large with 8 mm nozzle and 10 mm nozzle	463 778
- Hose holder	462 704
Optionally available:	
Remote control cable with toggle switch	532 602
■ Elbow joint, large for fine plaster spray gun, large	462 960



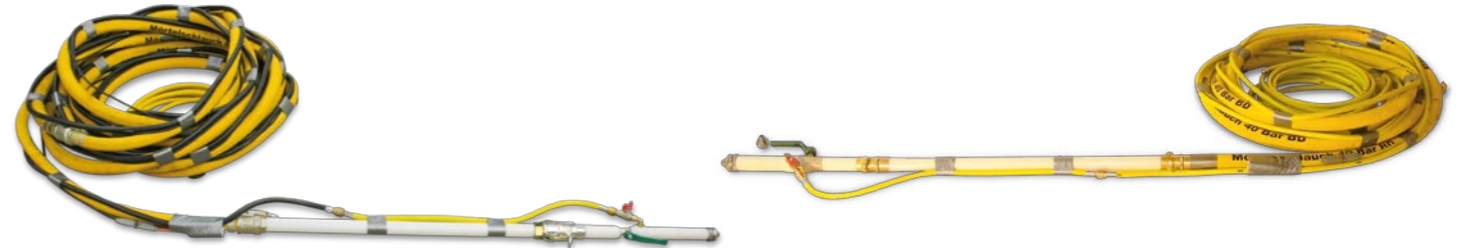
Spraying of sprayable filling compounds

Complete set with PM-coupling

Description	Part no.
■ Set with 18 m hose combination consisting of:	533 040
- Mortar hose, 25 mm diameter, 15 m length with V25-40 and M25-40 coupling	211 966.001
- Working hose, 19 mm diameter, 3 m length with VST-X25/19R and MST-X25/19R coupling	530 630
- Remote control cable, with indication lamp, 19 m	470 361
- Air hose, 10 mm diameter, 25 m length with intermediate coupling at 18.5 m	470 489
- Hose holder for suspending the 18 m hose combination to the scaffold	462 704
- Fine plaster spray gun, small with rotating joint M25	531 472
- Nozzle ø 6,5 mm	470 385
- Nozzle ø 8 mm	470 386
- Fine plaster spray gun extension (80 cm) with mortar coupling and air hose extension	531 642
Optionally available:	
Remote control cable with toggle switch	532 602
■ Bag squeezer for wet material in bags	462 706

Complete set with Geka claw coupling

Description	Part no.
■ Set with 18 m hose combination consisting of:	470 490
- Mortar hose, 25 mm diameter, 15 m length with 2 locking bayonet connections	476 046
- Working hose, 19 mm diameter, 3 m length with 1 bayonett connection and 1 locking bayonet connection	468 846
- Remote control cable, with indication lamp, 19 m	470 361
- Air hose, 10 mm diameter, 25 m length	470 489
- Fine plaster spray gun, small with 6,5 mm nozzle und 8 mm nozzle	463 733
- Fine plaster spray gun extension (80 cm) with air hose extension	463 736
- Hose holder	462 704
Optionally available:	
Remote control cable with toggle switch	532 602
■ Bag squeezer for wet material in bags	462 706



Spraying of acoustic spray plaster

Complete set with PM-coupling

Description	Part no.
■ Set with 10 m hose combination consisting of:	534 156
- Mortar hose, 10 m length, with PM-coupling	207 804.009
- Remote control cable with indication lamp, 11 m	470 362
- Air hose, EWO, 25 m length	462 721
- Fine plaster spray gun, large, with rotating joint M25	531 475
- Nozzle ø 10 mm	470 397
- Nozzle ø 12 mm	470 398
- Fine plaster spray gun extension (80 cm) with air hose extension and mortar coupling	531 642
Optionally available:	
Remote control cable with toggle switch	532 602

Complete set with Geka claw coupling

Description	Part no.
■ Set with 10 m hose combination consisting of:	470 492
- Mortar hose, 25 mm diameter, 10 m length with 2 locking bayonet connections	476 045
- Remote control cable with indication lamp, 11 m	470 362
- Air hose, 10 mm diameter, 25 m length	462 721
- Fine plaster spray gun, large, with 10 mm nozzle und 12 mm nozzle	463 778
- Fine plaster spray gun extension (80 cm) (80 cm) with air hose extension	463 736
- Hose holder	462 704
Optionally available:	
Remote control cable with toggle switch	532 602



Paint spraying

Description	Part no.
■ Set with 15 m hose combination consisting of:	470 462
- Material hose, 13 mm diameter, 15 m length with 2 bayonet connections	462 718
- Extension for remote control cable, 16 m	462 719
- Air hose, 10 mm diameter, 25 m length	462 721
- LM 2000 paint spray gun with nozzle set 2.5 mm	462 724
- Hose holder	462 704
Optionally available:	
Remote control cable with toggle switch	532 602

Paint rolling

Description	Part no.
■ Set with 15 m hose combination consisting of:	470 464
- Material hose, 13 mm diameter, 15 m length with 2 bayonet connections	462 718
- Roller extension pipe, 30 cm length	462 708
- Paint roller distributor, made of aluminium, 25 cm wide	462 710
- Karalon roller, padded	470 625
- Hose holder	462 704

Grouting and back-filling

Description	Part no.
■ Set with 7,5 m hose combination consisting of:	470 486
- Mortar hose, 19 mm diameter, 7.5 m length with 2 locking bayonet connections	470 484
- Remote control cable, with indication lamp, 10 m	470 358
- Shut-off valve	470 570
- Hose, 13 mm diameter, 1 m length	470 485
- Hose holder	462 704
Optionally available:	
Remote control cable with toggle switch	532 602

Delivery pump Strobot 406 S

Delivery rate 0 to 15 l/ min



Fig. shows Strobot 406 S with 70 l high material hopper

Fig. shows Strobot 406 S M35 with 30 l material hopper

The Strobot 406 S is the strongest delivery pump in the Strobot series. The maximum output is 15 l/ min. The Strobot is compact and easy to use. The motor speed is controlled either by rpm control or by pressure and ensures a constant delivery rate and thus an even spray pattern.

The delivery pump can be conveniently controlled from the spray gun. If you want to have a break, simply press a button and the Strobot stops. To restart simply press the button again and the machine starts running.

And if your work slows down due to a material blockage, the reverse will reduce the pressure in the hose.

Series equipment of Strobot 406 S – with 70 l hopper

Delivery pump Strobot 406 S, tube chassis 1 braking wheel, protection grid, 70 litre material high hopper, tool box with cleaning and tool set consisting of: 1 x 3/4" IT bayonet connection, 1 x 1" IT bayonet connection, 2 cleaning balls each for 19 mm diameter mortar hose and 25 mm diameter mortar hose, 1 jet bit with holder, 2 x SW 5/ SW 6 inbus keys with 1 puller bolt and 1 jacking bolt with covering disk, 1 chamfer checker, 1 cleaning tap with 2 bayonet connections, operation manual

Part no. 111 533.000

Series equipment of Strobot 406 S – with 30 l hopper

Identical to 70 l version, but with 30 litre material hopper.

Part no. 111 533.026

Series equipment of Strobot 406 S M35 – with 70 l hopper

Delivery pump Strobot 406 S, tube chassis 1 braking wheel, protection grid, 70 litre material high hopper, pressure outlet with mortar coupling M35, tool box with cleaning and tool set consisting of: 1 x 3/4" IG bayonet connection, 1 x 1" IG bayonet connection, 1 adaptor V35 / V25, 1 adaptor V25 / GEKA SH bayonet connection, 2 cleaning balls each for 19 mm diameter mortar hose and 25 mm diameter mortar hose, 1 jet bit with holder, 2 x SW 5/ SW 6 inbus keys with 1 puller bolt and 1 jacking bolt with covering disk, 1 chamfer checker, 1 cleaning tap with 2 bayonet connections, operation manual

Part no. 111 533.115

Series equipment of Strobot Strobot 406 S M35 – with 30 l hopper

Identical to 70 l version, but with 30 litre material hopper.

Part no. 111 533.099

Other versions

On request, you can also obtain different versions of the delivery pumps Strobot 406 S with special voltage configurations.



The design of the Strobot series has a whole range of advantages when it comes to transport and use. For example, the delivery pumps can be stored upright in order to save space.

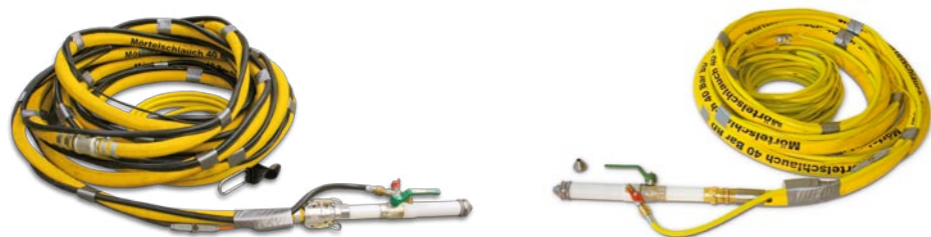
The practical and convenient control panel on the Strobot 406 S – easy to handle and operate.

Of course, you can also fully dismantle this delivery pump – in just a few easy steps.

Technical data	Strobot 406 S		Strobot 406 S M35	
Type	worm pump		worm pump	
Working pressure	up to 30 bar/ 435 PSI		up to 30 bar/ 435 PSI	
Delivery rate	0 up to 15 l/ min (infinitely variable)		0 up to 15 l/ min (infinitely variable)	
Pressure outlet	Geka claw coupling		M 35	
Delivery height/ distance	up to 30 m/ up to 48 m		up to 30 m/ up to 48 m	
Granulation max.	5 mm (depending on material)		5 mm (depending on material)	
Pump (Rotor/ Stator)	FH 40/ EW 40		FH 40/ EW 40	
Motor	230 - 250 V/ 50 Hz, 2.2 kW at 3,000 Upm		230 - 250 V/ 50 Hz, 2.2 kW at 3,000 Upm	
Hopper volume	70 l	30 l	70 l	30 l
Weight	approx. 65 kg		approx. 65 kg	
Length	120 cm		120 cm	
Width	58 cm		58 cm	
Height (fill height)	77 cm	53 cm	77 cm	53 cm
Part no.	111 533.000	111 533.026	111 533.115	111 533.099

You can find suitable accessory kits on the next double page, and more accessories from page 32 onwards.

Suggested accessories for Strobot 406 S



Spraying mineral and organic bonded fine plaster (up to 6 mm grain size)

Complete set with PM-coupling

Description	Part no.
■ Set with 18 m hose combination consisting of:	525 029
- Mortar hose, 25 mm diameter, 15 m length with V25-40 and M25-40 coupling	211 966.001
- Working hose, 19 mm diameter, 3 m length with VST-X25/19R and MST-X25/19R coupling	530 630
- Remote control cable, with indication lamp, 19 m	470 361
- Air hose, 10 mm diameter, 25 m length with intermediate coupling at 18.5 m	470 489
- Hose holder for suspending the 18 m hose combination to the scaffold	462 704
- Fine plaster spray gun, large with rotating joint M25	531 475
- Nozzle ø 8 mm	470 395
- Nozzle ø 10 mm	470 397

Optionally available:

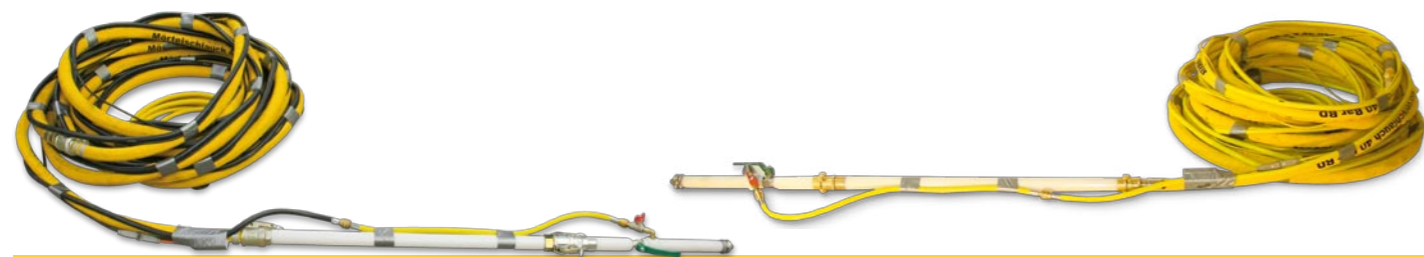
Remote control cable with toggle switch	532 602
■ Elbow joint, large for fine plaster spray gun, large	462 960

Complete set with Geka claw coupling

Description	Part no.
■ Set with 18 m hose combination consisting of:	470 488
- Mortar hose, 25 mm diameter, 15 m length with 2 locking bayonet connections	476 046
- Working hose, 19 mm diameter, 3 m length with 1 bayonett connection and 1 locking bayonet connection	468 846
- Remote control cable, with indication lamp, 19 m	470 361
- Air hose, 10 mm diameter, 25 m length	470 489
- Fine plaster spray gun, large with 8 mm nozzle and 10 mm nozzle	463 778
- Hose holder	462 704

Optionally available:

Remote control cable with toggle switch	532 602
■ Elbow joint, large for fine plaster spray gun, large	462 960



Spraying of sprayable filling compounds

Complete set with PM-coupling

Description	Part no.
■ Set with 18 m hose combination consisting of:	533 040
- Mortar hose, 25 mm diameter, 15 m length with V25-40 and M25-40 coupling	211 966.001
- Working hose, 19 mm diameter, 3 m length with VST-X25/19R and MST-X25/19R coupling	530 630
- Remote control cable, with indication lamp, 19 m	470 361
- Air hose, 10 mm diameter, 25 m length with intermediate coupling at 18.5 m	470 489
- Hose holder for suspending the 18 m hose combination to the scaffold	462 704
- Fine plaster spray gun, small with rotating joint M25	531 472
- Nozzle ø 6,5 mm	470 385
- Nozzle ø 8 mm	470 386
- Fine plaster spray gun extension (80 cm) with mortar coupling and air hose extension	531 642

Optionally available:

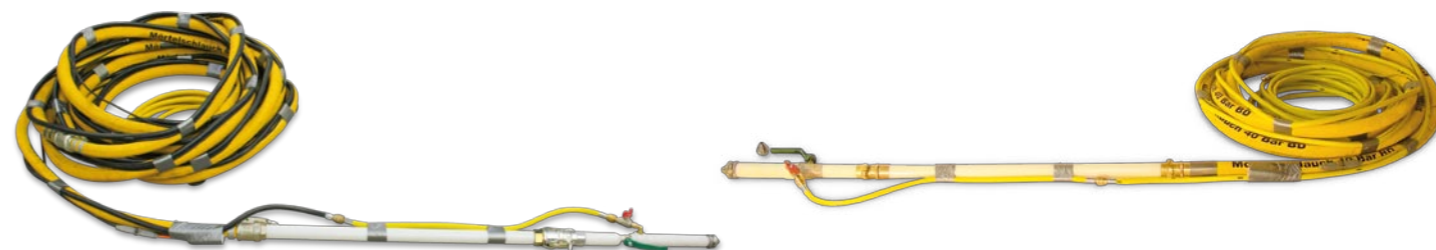
Remote control cable with toggle switch	532 602
■ Bag squeezer for wet material in bags	462 706

Complete set with Geka claw coupling

Description	Part no.
■ Set with 18 m hose combination consisting of:	470 490
- Mortar hose, 25 mm diameter, 15 m length with 2 locking bayonet connections	476 046
- Working hose, 19 mm diameter, 3 m length with 1 bayonett connection and 1 locking bayonet connection	468 846
- Remote control cable, with indication lamp, 19 m	470 361
- Air hose, 10 mm diameter, 25 m length	470 489
- Fine plaster spray gun, small with 6,5 mm nozzle und 8 mm nozzle	463 733
- Fine plaster spray gun extension (80 cm) with air hose extension	463 736
- Hose holder	462 704

Optionally available:

Remote control cable with toggle switch	532 602
■ Bag squeezer for wet material in bags	462 706



Spraying of acoustic spray plaster

Complete set with PM-coupling

Description	Part no.
■ Set with 10 m hose combination consisting of:	534 156
- Mortar hose, 10 m length, with PM-coupling	207 804.009
- Remote control cable with indication lamp, 11 m	470 362
- Air hose, EWO, 25 m length	462 721
- Fine plaster spray gun, large, with rotating joint M25	531 475
- Nozzle ø 10 mm	470 397
- Nozzle ø 12 mm	470 398
- Fine plaster spray gun extension (80 cm) with air hose extension and mortar coupling	531 642

Optionally available:

Remote control cable with toggle switch	532 602
---	---------

Complete set with Geka claw coupling

Description	Part no.
■ Set with 10 m hose combination consisting of:	470 492
- Mortar hose, 25 mm diameter, 10 m length with 2 locking bayonet connections	476 045
- Remote control cable with indication lamp, 11 m	470 362
- Air hose, 10 mm diameter, 25 m length	462 721
- Fine plaster spray gun, large, with 10 mm nozzle und 12 mm nozzle	463 778
- Fine plaster spray gun extension (80 cm) (80 cm) with air hose extension	463 736
- Hose holder	462 704

Optionally available:

Remote control cable with toggle switch	532 602
---	---------



Paint spraying

Description	Part no.
■ Set with 15 m hose combination consisting of:	470 462
- Material hose, 13 mm diameter, 15 m length with 2 bayonet connections	462 718
- Extension for remote control cable, 16 m	462 719
- Air hose, 10 mm diameter, 25 m length	462 721
- LM 2000 paint spray gun with nozzle set 2.5 mm	462 724
- Hose holder	462 704

Optionally available:

Remote control cable with toggle switch	532 602
---	---------



Grouting and back-filling

Description	Part no.
■ Set with 7,5 m hose combination consisting of:	470 486
- Mortar hose, 19 mm diameter, 7.5 m length with 2 locking bayonet connections	470 484
- Remote control cable, with indication lamp, 10 m	470 358
- Shut-off valve	470 570
- Hose, 13 mm diameter, 1 m length	470 485
- Hose holder	462 704

Optionally available:

Remote control cable with toggle switch	532 602
---	---------



Paint rolling

Description	Part no.
■ Set with 15 m hose combination consisting of:	470 464
- Material hose, 13 mm diameter, 15 m length with 2 bayonet connections	462 718
- Roller extension pipe, 30 cm length	462 708
- Paint roller distributor, made of aluminium, 25 cm wide	462 710
- Karalon roller, padded	470 625
- Hose holder	462 704

Spare parts

Delivery pumps Strobot 204 S, 401 S 110 V, 406 S and spiral conveyor 401 S

	Part no.
Blanking plug	470 367
Main power cable, 230 V, 5 m	470 368
Main plug, 230 V	470 370
Material hopper, approx. 30 l	470 371
Material high hopper, approx. 70 l	470 372
Seal for material hopper	470 373
Cardan shaft (401 S, 406 S)	470 514
Cardan shaft (204 S)	462 728
Attachment for quick assembly (204 S)	470 517
Attachment for quick assembly (401 S, 406 S)	470 518
O-Ring 72 x 4 on gearbox flange (401 S, 406 S)	470 519
Tension rod for tension jack (401 S, 406 S)	470 523
Tension rod for tension jack (204 S)	470 529
Selector switch (204 S, 401 S)	531 364
Selector switch (406 S)	470 540
Safety main switch (230 V, 50 Hz) with release for low tension (204 S, 401 S, 406 S)	530 857
4.7K potentiometer, linear (204 S, 401 S, 406 S)	470 542
10K potentiometer, linear with switchover (204 S, 401 S, 406 S)	470 543
Pressure connection with pressure sensor, GEKA (204 S)	516 232
Pressure connection with pressure sensor, GEKA (401 S, 406 S)	516 240
Pressure connection cable	516 234
Protection grid for material hopper	470 374
Grid sleeve	484 164
O-ring on gearbox flange (204 S)	470 519
Pressure connection PM coupling	516 269
Adaptor Geka / V 35	531 288
Spring for spiral conveyor Strobot 401 S	531 064
Hose for spiral conveyor Strobot 401 S (without spring)	531 038

Compressors Strocomp 433 and 864

with 230 V connection



Our compressors Strocomp ensure high performance and, used together with one of our delivery pumps Strobot, guarantee the best possible spray pattern.

They are small and light and can easily be transported from one place to another thanks to their single-axle chassis. Due to their 230 V connection they can be operated almost anywhere.

Technical data	Strocomp 433	Strocomp 864
Suction volume	400 l/ min	800 l/ min
Output volume	300 l/ min	550 l/ min
Tank content	2 x 5 litres	2 x 5 litres
Maximum pressure	10 bar/ 145 PSI	10 bar/ 145 PSI
Motor output	2.2 kW	2 x 2.2 kW
Motor speed	1,500 Upm	2,800 Upm
Power supply	alternating current, 230 - 250 V/ 50 Hz	
Fuse	16 A, delay action	2 x 16 A, delay action
Oil content	1,5 litres	2 x 0,5 litres
Dimensions (L x W x H)	81 x 47 x 52 cm	75 x 55 x 61 cm
Weight	approx. 67 kg	approx. 71 kg
Part no.	111 593.008	111 593.011

Continuous mixer Stromixer D 1000

for Strobot 401 S and Strobot 406 S with small 30 l hopper



Fig. shows Stromixer D 1000 with Strobot 401 S with small hopper and fill level sensor

If you want to process mineral, cement-based dry material, the Stromixer D 1000 is the ideal supplement to our delivery pumps Strobot 401 S and Strobot 406 S.

It mixes your material continuously with optimum quality. Its mixing zones, which are arranged one on top of the other, are making the machine very compact. All parts that come in contact with the materials are made of rust-free materials, thus extending the service life and ensuring that the parts can be easily cleaned.

The water and power control panel can be easily removed and thus protected against frost and theft.

Stromixer D 1000 powder coating/ plastic

In addition to the stainless steel/ plastic version of the Stromixer D 1000 there is also a version with powder coated chassis available.

Accessories for Stromixer D 1000

Description	Part no.
■ Stroguard fill level sensor 201 with engine protection	531 269
■ Mixing shaft	530 608
■ Metering shaft	470 422
■ Screw conveyor	470 423
■ V-belt (2 units)	470 424
■ Flowmeter cpl.	470 426
■ Blind plug, 4-pin	470 427
■ Main power cable, 230 V, length 5m	470 428
■ Bearing flange, complete, rear	470 612
■ Bearing flange, complete, front	470 616
■ Bearing flange, complete, for metering shaft	470 617
■ Bearing flange, complete, for mixing shaft	470 618
■ Solenoid valve	470 620
■ Diaphragm for solenoid valve	470 619
■ Tensioning jack for mixing tube	470 623
■ Safety grid with bag opener	470 630
■ Button for master switch	470 634

Other versions

On request, you can also obtain different versions of the Stromixer D 1000 with special voltages.



As an option, you can also obtain the Stromixer with the Stroguard fill-level sensor.



The removable control console on the Stromixer D 1000 – clear and easy to use.



The Stromixer as powder coated version.

Technical data	Stromixer D 1000 stainless steel/ plastic	Stromixer D 1000 powder coating/ plastic
Drive	1.5 kW, 220 V, 50 Hz	1.5 kW, 220 V, 50 Hz
Water supply pressure	approx. 2 bar/ 29 PSI	approx. 2 bar/ 29 PSI
Hopper volume	approx. 58 l	approx. 58 l
Mixing performance	approx. 15 l/ min	approx. 15 l/ min
Granulation max.	6 mm (depending on material)	6 mm (depending on material)
Weight	97 kg	97 kg
Length	98 cm	98 cm
Width	70 cm	70 cm
Height (fill height)	95 cm	95 cm
Part no.	111 534.009	111 616.010

Tool washing systems Strobber WA 800 and 1500

Cleans tools in seconds



Fig. shows Strobber WA 1500 with roller cleaner WAW

Fig. shows Strobber WA 800 without roller cleaner WAW

Strobber is a tool washing system with cold and hot water connection that you can use to thoroughly clean your delivery pumps and tools. With the optional roller cleaner Strobber WAW, you can even clean your paint rollers effectively in short time.

The dirty water flows into the filter system from the removable basin. In the filter system, rough materials are filtered out. It is then automatically pumped from the container to the drain.

Series equipment Strobber WA 800 and WA 1500

Handwash soap dispenser, water valve fittings, filter basket made of stainless steel mesh, particle filter, submerged pump (sensor-controlled), 2 supply hoses, cleaning hose, cleaning tap with 2 bayonet screw connections, operation manual

Accessories for Strobber WA 800 and WA 1500

Description	Part no.
■ Fabric filter	463 840
■ Roller bracket for hanging up cleaned paint rollers	463 845
■ Supply hose	470 437
■ Siphon, complete	470 438
■ Water drain hose	470 439
■ Submerged pump	470 440
■ Cleaning hose	470 441
■ Top-up container with dispenser lid for handwash dispenser	470 442
■ Top-up container for handwash dispenser	530 887
■ Top-up pack of hand soap for soap dispenser	470 444
■ Roller bracket	470 757
■ Seal complete (with sealing lip)	470 752
■ Main power cable, 230 V, length 5 m	470 368
■ Main plug, 230 V	470 370
■ Water filter	214 780.006
■ Pressure regulator	014 064.003
■ Nozzle pipe for WAW	470 753
■ High pressure pump for WA	470 760
■ Condenser for high pressure pump	531 592



In the fabric filter, solids are filtered out of the dirty water.



Together with the water preparation plant Strobber WAB, your tool washing system Strobber WA 800 or WA 1500 works continuously as a closed system without break.



The roller cleaner Strobber WAW cleans your dirty paint rollers in seconds.

Technical data	Strobber WA 800		Strobber WA 1500	
Submerged pump	230 - 250 V/ 50 Hz, delivery rate 60 l/ min			
Filter system	removable stainless steel basket with particle filter			
Weight	approx. 45 kg	approx. 74 kg	approx. 87 kg	approx. 116 kg
Length	80 cm	80 cm	80 cm	80 cm
Width	80 cm	80 cm	150 cm	150 cm
Height	134 cm	144 cm	134 cm	144 cm
Special features	with roller cleaner Strobber WAW		with roller cleaner Strobber WAW	
Part no.	111 541.005	111 541.018	111 540.006	111 540.019

Tool washing system Strobber WA 800-B

with roller cleaner and integrated water preparation



The filter cloth in the stainless steel insert can collect the residues from a maximum of 30 rollers.



A special overflow plug closes off the removable container with circulation pump for water purification.

Tool cleaning has never been so environmentally-friendly. This new version of the WA washing system cleans your tool quickly and thoroughly. The WA 800-B purifies the waste water immediately to help to preserve the environment.

If you insert a paint roller into the integral roller cleaner, for example, 8 water nozzles clean the roller almost immediately at a pressure of approx. 25 bar/ 365 PSI. The waste water collects in a container positioned underneath, which is closed off with a special overflow plug. After about 15 paint rollers are cleaned, pour a reactant into the container. The integral circulation pump mixes the barrier agent and the contaminated water thoroughly for approximately 10 minutes. The paint settles to the bottom of the container within this time. The cleaned water is drained via the overflow plug. The paint residues are retained and then flow into the filter system of the WA 800-B together with the residual water. The remaining water is then filtered and purified efficiently.

Accessories for Strobber WA 800-B

Description	Part no.
■ Fabric filter	463 840
■ Supply hose	470 437
■ Cleaning hose	470 441
■ Circulation pump	531 395

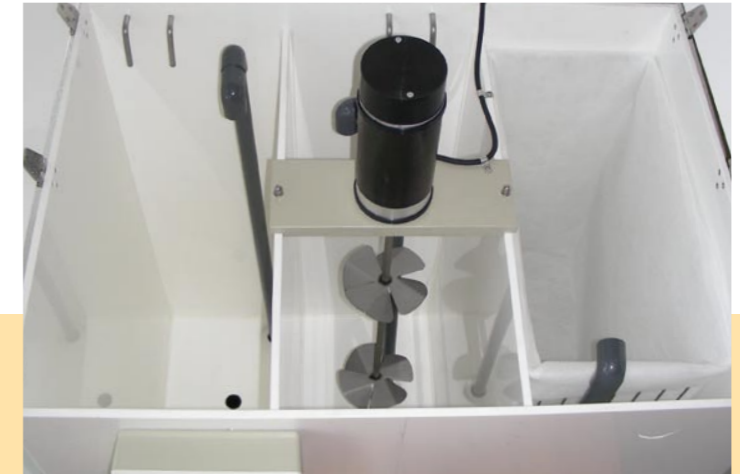
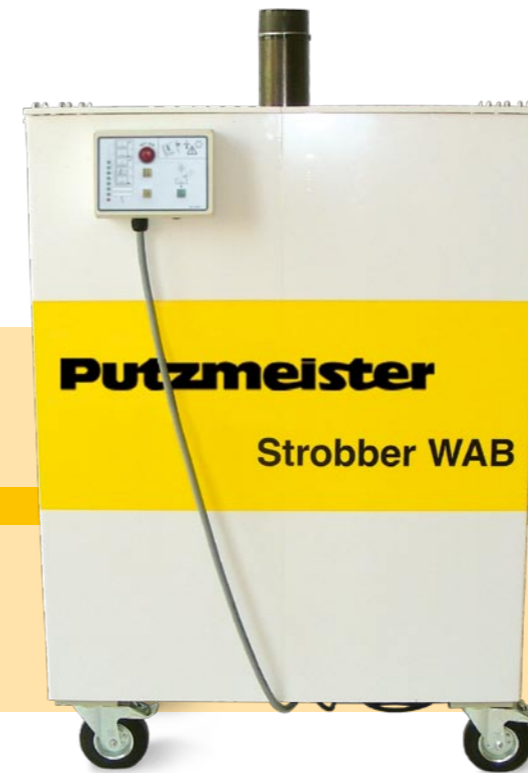
Technical data	Strobber WA 800-B
Submerged pump	230 - 250 V/ 50 Hz, delivery rate 60 l/ min
Filter system	removable stainless steel basket with fabric filter
Weight	approx. 80 kg
Length	80 cm
Width	80 cm
Height	134 cm
Special features	with roller cleaner Strobber WAW
Part no.	111 541.031

Series equipment Strobber WA 800-B

Water valve fittings, circulation pump with time control, Strobber filter basket made of stainless steel mesh, Strobber fabric filter, two-step outlet, submerged pump (sensor-controlled), supply hose, cleaning hose, cleaning tap with 2 bayonet screw connections, brush washout grille, roller cleaner Strobber WAW, high-pressure pump, Strobber roller clip for locking the roller, dipstick for being screwed into the high-pressure pump, operation manual

Water preparation plant Strobber WAB

for Strobber WA 800 and WA 1500



The WAB uses a dual chamber system that cleans the waste water from the washing system.

With the water preparation plant Strobber WAB, your tool washing system Strobber WA 800 or WA 1500 works as a closed system.

Strobber WAB initially collects the waste water from the washing system in the first chamber. After a certain filling level is reached, the water is automatically pumped into the second chamber. As soon as it is full, a visual and acoustic signal sounds. The reaction release agent is transferred to the second chamber and the preparation process begins. An agitator mixes the reaction agent for around 8 minutes into the water. During this time, you can continue to work on the Strobber WA without interruption. The prepared water is finally cleaned through a filter of solids and then routed into the sewage.

Accessories for Strobber WAB

Description	Part no.
■ Filter basket	470 771
■ Fabric disc filter	463 853
■ Reaction release agent, 10 kg bucket	463 857
■ Mounting kit for connection to Strobber WA 800 or WA 1500	470 772
■ Cleaning ball, 19 mm	470 376
■ Water pump, chamber 1	470 773
■ Water pump, chamber 2	470 774

Technical data	Strobber WAB
Total volume – container	240 l
Volume – chamber 1	120 l
Volume – chamber 2	120 l
Power connection	230-250 V, 50 Hz
Weight	approx. 70 kg
Length	60 cm
Width	82 cm
Height	100 cm
Part no.	111 538.005

Accessories for delivery pumps Strobot

Material hoses with bayonet connections



Diameter	Length	Part no.
13 mm	1 m	470 485
13 mm	15 m	462 718
13 mm	20 m	462 707

Mortar hoses with locking bayonet connections



Diameter	Length	Part no.
19 mm	1.5 m	470 460
19 mm	3 m	468 846
19 mm	7.5 m	470 484
19 mm	10 m	483 962
19 mm	15 m	470 458
25 mm	10 m	476 045
25 mm	15 m	476 046

Mortar hoses with PM-coupling up to 40 bar/ 580 PSI operating pressure



	Part no.
NW 25 mm, V 25-40, M 25-40, length 5 m	207 803.000
NW 25 mm, V 25-40, M 25-40, length 10 m	207 804.009
NW 25 mm, V 25-40, M 25-40, length 15 m	211 966.001
NW 25 mm, V 25-40, M 25-40, length 20 m	207 806.007
NW 25 mm, V 25, V 35, length 5 m	207 808.005
NW 25 mm, V 25, V 35, length 10 m	207 809.004
NW 35 mm, V 35, M 35, length 13,3 m	207 615.007
NW 35 mm, V 35, M 35, length 20 m	209 950.003

Air hoses EWO



Diameter	Length	Part no.
10 mm	10 m	463 791
10 mm	15 m	480 373
10 mm	25 m	462 721
10 mm	25 m (with intermediate coupling at 18.5 m)	470 489

Air hoses ½" GEKA



Coupling	Length	Part no.
GEKA ½" NW	10 m	001 682.003
GEKA ½" NW	15 m	212 333.002
GEKA ½" NW	20 m	001 665.004
GEKA ½" NW	30 m	202 911.007
GEKA ½" NW	40 m	214 734.007

Couplings for mortar hoses



	Part no.
M 25-40/ S 25 with grommet	211 593.005
V 25-40/ S 25 with grommet	208 828.000
M 35/ S 35 with grommet	211 594.004
V 35/ S 35 with grommet	202 606.004

Adaptor



	Part no.
V 35 - V 25	207 795.008
V 25 - Geka	531 291
V 35 - Geka	531 288

Hose clip



	Part no.
NW 25, for mortar hose	002 337.001
NW 35, for mortar hose	002 331.007

Sealing ring



	Part no.
NW 25, for mortar hose	207 764.000
NW 35, or mortar hose	213 725.004
Air hose ½"	002 313.009

Sponge balls



	Part no.
for delivery hose NW 13 mm, ø 19 mm	470 376
for delivery hose NW 18 mm, ø 20 mm	429 483
for delivery hose NW 20 mm, ø 25 mm	429 485
for delivery hose NW 25 mm, ø 30 mm	000 239.004
for delivery hose NW 35 mm, ø 45 mm	065 044.001

Hose holder



Part no.
462 704

■ Remote control cable



Length		Part no.
15 cm	With indication lamp (for connecting to the extension)	472 127
10 m	Extension	462 962
10 m	With indication lamp	470 358
11 m	With indication lamp	470 362
13 m	With indication lamp	470 355
13.3 m	Extension	475 237
16 m	Extension	462 719
16 m	With indication lamp	470 350
19 m	With indication lamp	470 361
21 m	Extension	470 363
21 m	With indication lamp	472 866

■ Remote control cable with toggle switch



Length		Part no.
15 cm	For connecting to the remote control cable, with on/off switch	532 602

■ Adaptor plug

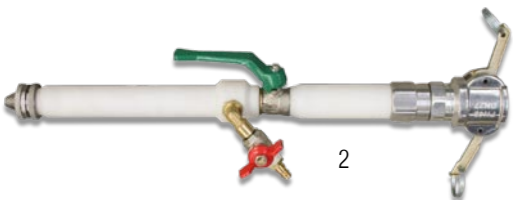


		Part no.
	For connecting the adhesive gun to the remote control cable	482 225

■ Fine plaster spray gun, small



	Fig.	Part no.
Fine plaster spray gun, small, with 6.5 mm diameter and 8 mm diameter nozzle, with bayonett connection	1	463 733
Fine plaster spray gun, small, without nozzles		463 859
Fine plaster spray gun, small, short, without nozzles	2	470 381
Fine plaster spray gun, small, without nozzles, with PM-coupling		531 472



Nozzle diameter 3 mm (for 0.3 mm granulation)	470 382
Nozzle diameter 4 mm (for 0.3 mm granulation)	470 383
Nozzle diameter 5 mm (for 0.5 mm granulation)	470 384
Nozzle diameter 6 mm (for 1 mm granulation), hardened	463 860
Nozzle diameter 6,5 mm (for 1.5 mm granulation)	470 385
Nozzle diameter 8 mm (for 2 mm granulation), hardened	463 861
Nozzle diameter 8 mm (for 2 mm granulation)	470 386
Nozzle diameter 10 mm (for 3 mm granulation)	462 703

Jet drill bit, diameter 2.2 mm with holder	470 387
Jet drill bit, diameter 2.2 mm	470 388



Elbow joint, small	3	470 181
Extension for fine plaster spray gun, 80 cm, GEKA		463 736
Extension for fine plaster spray gun, 80 cm, PM-coupling		531 642
Union nut, small		470 576
Main pipe, small, GEKA		470 582
Main pipe, small, PM coupling		531 420
Outer pipe, small		470 578
Air distributor with O-ring		470 577

■ Ball valves for spray guns (small)



1/2" with start/stop lever for spray gun, small

Part no.
470 572

■ Fine plaster spray gun, large



	Fig.	Part no.
Fine plaster spray gun, large with 8 mm diameter and 10 mm diameter nozzle, with bayonett connection	1	463 778
Fine plaster spray gun, large, without nozzles		470 390
Fine plaster spray gun, large, short, without nozzles		470 391
Fine plaster spray gun, large, without nozzles, with PM-coupling	2	531 475

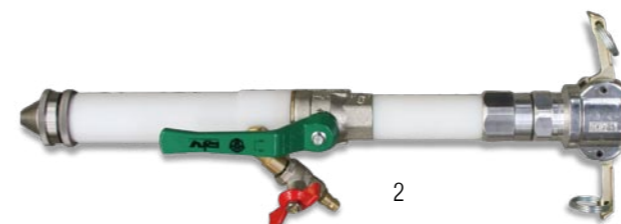


	Fig.	Part no.
Nozzle diameter 6.5 mm (for 1.5 mm granulation)		470 394
Nozzle diameter 8 mm (for 2 mm granulation)		470 395
Nozzle diameter 10 mm (for 3 mm granulation)		470 397
Nozzle diameter 12 mm (for 4 mm granulation)		470 398
Nozzle diameter 14 mm (for 5 mm granulation)		470 399
Nozzle diameter 16 mm (for 6 mm granulation)		470 400

Jet drill bit, diameter 2.2 mm with holder	470 387
Jet drill bit, diameter 2.2 mm	470 388



Elbow joint, large	3	462 960
Extension for fine plaster spray gun, 80 cm, GEKA		463 736
Extension for fine plaster spray gun, 80 cm, PM-coupling		531 642
Union nut, large		470 595
Main pipe, large, GEKA		468 819
Main pipe, large, PM coupling		531 457
Outer pipe, large		470 597
Air distributor with O-ring		470 596

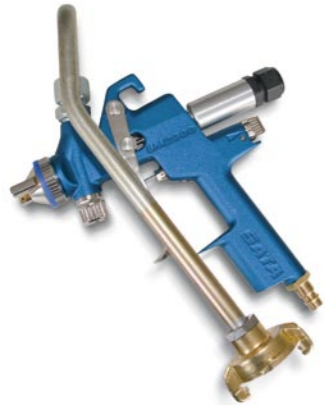
■ Ball valves for spray guns (large)



1" with start/stop lever for spray gun, large

Part no.
470 573

■ Paint spray gun



Paint spray gun LM 2000 incl. nozzle set, diameter 2.5 mm	Part no. 462 724
Nozzle set for LM 2000, diameter 1.6 mm	470 401
Nozzle set for LM 2000, diameter 2.5 mm	470 403
Nozzle set for LM 2000, diameter 3 mm	470 404

■ Adhesive gun with case



For GEKA consisting of: cpl. bonding gun, tool case 410, cleaning brush D, grease gun – small, adaptor cable 4P/ plug 2P, with bayonett connection	Part no. 492 340
---	----------------------------

For PM-coupling consisting of: cpl. bonding gun, tool case 410, cleaning brush D, grease gun – small, adaptor cable 4P/ plug 2P, with PM-coupling	Part no. 532 534
--	----------------------------

■ Lance for primer for absorbent substrates, injection lance, spray gun for primer for absorbent substrates



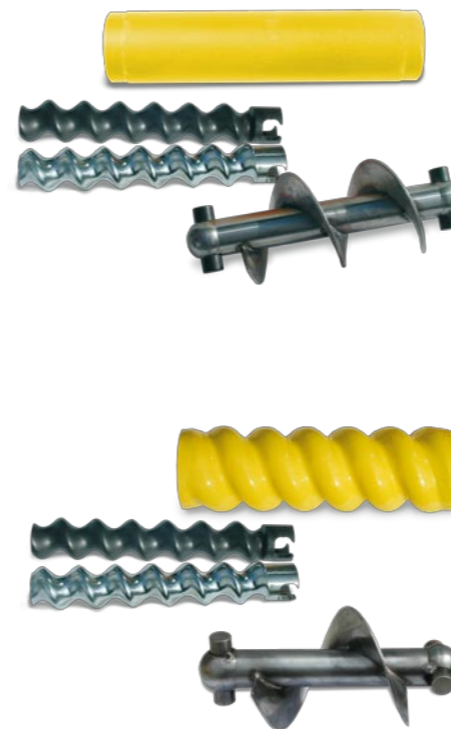
Lance for primer for absorbent substrates, 1 m length, nozzle no. 2	Fig. 1	Part no. 470 364
Nozzle no. 2, 60°		470 405
Union nut for nozzle no. 2		470 411
Seal for nozzle no. 2		470 413
Spray gun for primer for absorbent substrates with nozzle no. 2	2	462 717
Injection lance, 16 mm diameter tube, 50 cm length		470 415
Injection lance, 16 mm diameter tube, 1 m length	3	470 417

■ Hopper spray gun



Hopper gun complete with air hose in box	Part no. 207 307.001
Hopper gun without hose and packaging	210 014.006
Stand for hopper gun	206 766.009
Angle piece	001 430.006

■ Worm parts (rotors and stators)



for Strobot 204 S	Part no.
Stator MK 20	462 725
Rotor FH 20, hardened, slotted	462 726
Rotor FC 20, stainless steel, chromed, slotted	462 727
Pre-screw 204 S (cardan shaft)	462 728

for Strobot 401, 406	Part no.
Stator EW 40	463 793
Stator short	531 512
Rotor FH 40, hardened, slotted	463 795
Rotor FC 40, stainless steel, chromed, slotted	463 797
Rotor FH 40 short, hardened, slotted for special acoustic and clay plasters	470 365
Pre-screw 401/ 406 (cardan shaft)	470 514

■ Mounting aid for rotor-stator



Silicon spray, 400 ml spray can	Part no. 508 975
---------------------------------	----------------------------

■ Proportioning valve, pressure gauge



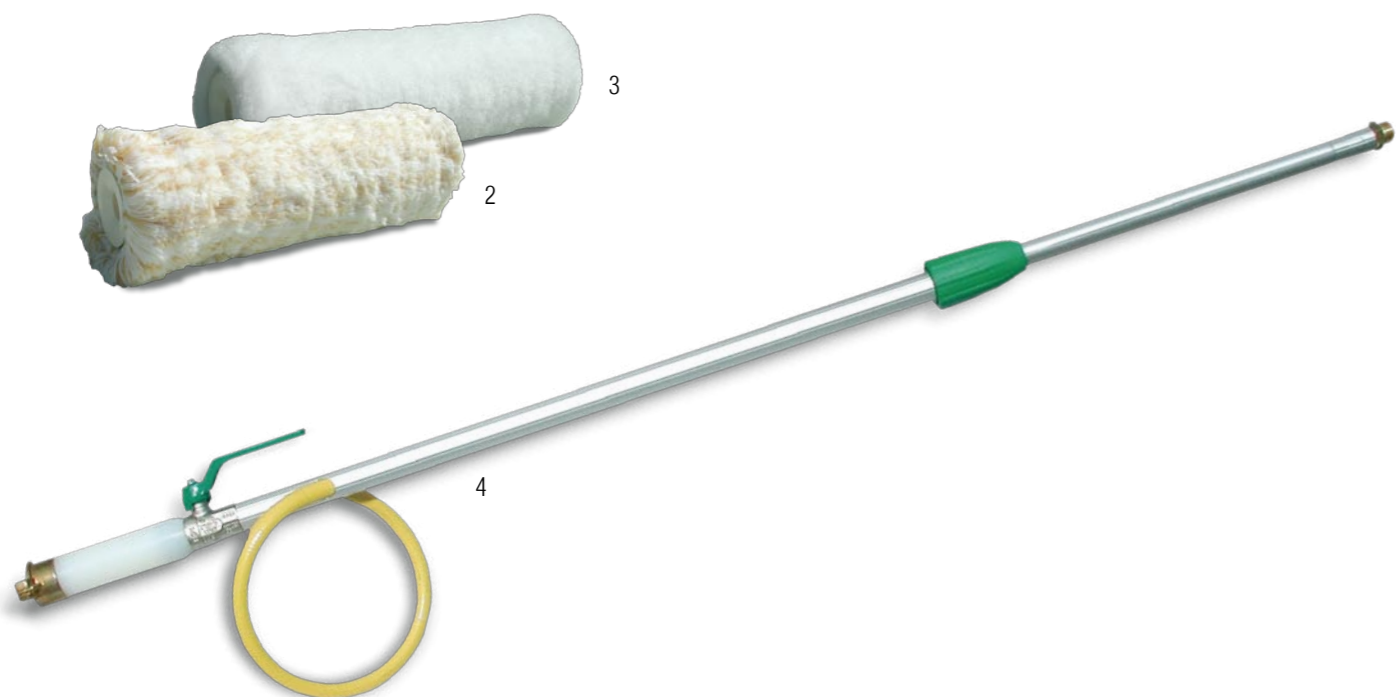
	Fig.	Part no.
Proportioning valve with pressure gauge	1	470 682
Pressure gauge with connection at the back side	2	470 685
Pressure gauge with connection downwards		470 686

■ Paint rollers



	Fig.	Part no.
Paint roller distributor, aluminium, min. 25 cm wide	1	462 710
Goldfloor roller, 25 cm wide	2	462 711
Karalon roller, 25 cm wide		470 625
Nylon roller (only for smooth undercoats), 25 cm wide	3	462 714

Roller extension pipe, 30 cm length		462 708
Roller extension pipe, 70 - 120 cm length	4	462 712
Roller extension pipe, 120 - 210 cm length		470 357



■ Cable drum



	Part no.
Cable drum with 40 m 230 V-cable and 4 x 230 V-sockets	463 811
Cable drum with 25 m 380 V-cable and 4 x 230 V-sockets, Fuse for 2 sockets, 16 amp	482 853

■ Main power cable



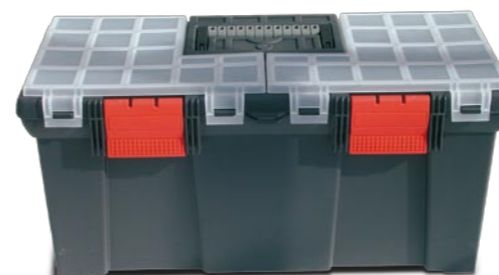
	Part no.
Main power cable, 230 V, 5 m (204 S, 401 S, 406 S, WA 800, WA 1500)	470 368
Main power cable, 230 V, 5 m (Stromixer D 1000)	470 428
Main power cable, 230 V, 5 m (Strocomp 433, 864)	529 103
Main plug, 230 V	470 370

■ Distribution block



	Part no.
Distribution block, 380 V, 32 amp, supply voltage and an electric power socket 380 V, 16 amp and 4 x 230 V sockets	463 819

■ Tool box



	Part no.
Tool box, without contents	470 568
Tool box with cleaning and tool set for Strobot 401 S and 406 S	470 375

Putzmeister worldwide

**Putzmeister
Mörtelmaschinen GmbH**

Max-Eyth-Str. 10
D-72631 Aichtal · Germany

Tel +49 (0) 7127 599-699
Fax +49 (0) 7127 599-743

Visit our website for details of **contact representatives**
from sales, marketing, customer service and spare parts
management.

www.mortarmachines.com



Terms and Conditions of Sale and Delivery

(last revised January 2002)

I. Scope of Application

- The following terms and conditions apply to all deliveries and performances, regardless of whether the individual case is a sales contract or a contract for work and services or a con-tractual relationship of yet another nature.
- Terms and conditions of sale or other terms and conditions of business of the client do not apply, even if the supplier has not expressly objected to said terms and conditions.

II. Conclusion of Contract, Modifications of Contract, Assignment of Rights

- The documents which are a Description of the offer (e.g., photographs, drawings) as well as data about the extent of the delivery, appearance, performance, dimensions, weight, consumption of operating materi-als, operating costs, etc., are only caimate values unless they have expressly been designated as binding. The supplier retains rights of ownership and copyrights to cost estimates, drawings and other documents. They must not be made available to third parties and shall be returned upon request.
- The contract shall be deemed concluded when the supplier has confirmed acceptance of the order in writing or has commenced delivery or performance. If the supplier has submitted an offer which is subject to a time limit, the contract shall be deemed concluded when the client has submitted written acceptance of the offer in due time.
- Oral secondary agreements and amendments to the contract shall not become effective until the supplier has confirmed them in writing. Obvious spelling or calculation errors may be cor-rected retroactively.
- The client may not assign his rights from this contract.

III. Prices

- The prices are given ex works, including loading in the works, but excluding packaging, plus applicable value-added tax in conformity with the applicable provisions of the delivery or per-formance country. To the extent that binding remuneration of the supplier has not been agreed, the supplier's prices in effect on the day of the delivery shall apply.
- Engineer work, installation and commissioning will be billed separately. The billing may be calculated at either a flat rate or according to actual expenditure, plus travel costs, subsis-tence allowance and overnight expenses, overtime, surcharges for Sundays and public holidays.
- Price changes are admissible if there has been a lapse of more than 6 months between conclusion of the contract and the agreed date of delivery. The supplier is entitled to adjust prices to the extent that the new price is in the same ratio to the agreed price as the price of the delivery and performance according to the valid price list on the day of the delivery is to the price of the delivery according to the valid price list on the day of the conclusion of the contract. With respect to other deliveries and performances not shown in a price list, the supplier is entitled to make a price adjustment which is reasonable in view of the circum-stances.
- If costs or charges are included in the prices and the former are raised following the conclusion of the contract, or if they become due additionally following conclusion of the contract, the supplier is entitled to bill the client for the additional amount.
- If at the request of the client the supplier is prepared to make an exchange, the supplier is entitled to bill the incurred costs, no less, however, than the amount of the loss in value re-sulting from aging and use, plus 10.0% of the agreed price of the originally agreed object of the delivery, as compensation for the expenditures incurred by the supplier due to the ex-change. The supplier may not demand the flatrate cost compensation described in the above provision if the client proves that no, or only minor, damage or expenditure resulted for the supplier.

IV. Payment, Default of Payment, Set-Off, Retention

- In the absence of deviating agreements, payment for the delivery of machines shall become due within 7 days of the delivery, for spare parts within 30 days and for services within 14 days of the invoice date without deductions.
- Any and all outstanding receivables shall become due and payable immediately – even if an extension or other delay of payment has been granted – as soon as the client is more than 5 workdays in default of ful-filment, in whole or in Description, of his obligations to the supplier or if cir-cumstances arise which sub-stantially reduce the creditworthiness of the client (e.g., deterioration of assets, suspension of payments, excess debt, objections to bills of exchange and cheques, filing of a petition for institution of bankruptcy proceedings or the institution or dis-missal thereof). The supplier may in this case refuse further deliveries or performances and request the provision of reasonable security for his claims.
- Payment by bill of exchange is subject to special agreement. Bills of exchange and cheques will only be accepted subject to redemption. The client shall bear collection and discount charges. No cash discount will be granted for payment by bill of exchange or in the event that there are overdue payments, even if such a discount has otherwise been agreed.
- The client may offset supplier's claims solely against undisputed or non-appealable claims. The client has a right of retention only if his counter-claim is based on the same contractual relationship and is undisputed or non-appealable, or if the supplier has committed a gross vio-lation of his obligations from the same contractual relationship. However, this provision is without prejudice for the right of the client to retain a reasonable Description of the purchase price due to defects of the supplier's performance.
- If the client is in default of payment, interest at a rate of 8.0% above the basic interest rate shall be paid on the supplier's claims. This provision is without prejudice for the supplier's claim for compensation for additional damage.
- If the client suffers deterioration of assets in the meaning of No. IV.2., the supplier may withdraw from the contract. This provision is without prejudice for further statutory claims of the supplier, e.g., damage compensation. Damage compensation claims of the client are ex-cluded.

V. Delivery Time, Partial Performances, Delay of Acceptance

- Delivery and installation periods do not commence until the supplier and the client have reached agree-ment on all details of the performance and all terms and conditions of the transaction and the supplier has confirmed the order. Said periods shall be suspended as long as the client is in default of fulfilment of his contributory obligations from this contract (e.g., provision of documents, supply of materials, permits, releases) or of an agreed advance payment.
- The delivery period shall be deemed as observed if the object of the delivery has left the works or if notification of readiness for shipping has been given before lapse of the period.
- The delivery period shall be extended by a reasonable amount in the event of force majeure, strike, lock-out and other unusual circumstances without fault; this provision shall also apply if a pre-supplier is affected, to the extent that these circumstances can be shown to have an influence on the delivery period.
- If the supplier's performance is delayed, he shall nevertheless not be in default of performance to the

extent that the delay is caused by circumstances which he could not foresee and prevent when taking rea-sonable precautions and which he could not overcome by taking rea-sonable measures.

- The supplier is entitled to withhold his performance as long as the client does not fulfil his obligations to the supplier from this or another contract or due to other legal reasons.
- Partial performance is admissible to the extent that it is reasonable for the client. Such partial perfor-mances shall be deemed independent legal transactions which may be bill separately.
- If the terms and conditions of payment are not observed, if the delivery is not accepted in due time or if the acceptance thereof is refused or if security which has been agreed or is due in accordance with No. IV.2. has not been provided, the supplier is entitled, following fruitless lapse of a reasonable extension, to withdraw from the contract and to claim damage compen-sation. The supplier may claim without further proof damage compensation from the client in the amount of 25.0% of the order total for mass produced products and 75.0% of the order total for custom produced products, to the extent that the client does not prove that no damage, or only minor damage, has resulted. This provision is without prejudice for a claim of greater damage upon substantiation.
- If at the request of the client the dispatch is delayed, the supplier may bill either the storage and mainte-nance costs actually incurred or a flat rate in the amount of % of the invoice amount per month; the latter is, however, not permitted if the client proves that the supplier suffered no, or only minor, damage or incur-red no, or only minor, expenditures. This provision has no effect on the client's payment obligations.

VI. Transfer of Risk, Shipping and Acceptance

- The risk shall pass to the client no later than the point in time of the dispatch of the object of the delive-ry. This provision shall also apply to partial performance, or if the supplier has agreed to bear the costs for shipping or installation, or if he performs the delivery himself. No liability is accepted for the most favoura-ble freight charges or transport time.
- If the delivery, the shipping or the acceptance of the object of the delivery is delayed by the client due to no fault of the supplier, all risks – including the risk of deterioration or loss of the object of the delivery as well as all risks resulting from the object itself – shall pass to the client as of the notification of the readi-ness for shipping or notification of completion.
- Upon written request, the consignment will be insured at the client's expense for the cover sum he requests.
- The client is liable for any and all damage which he causes by his negligence during or before accep-tance of the object of the delivery (e.g., sampling, any acceptance procedure to be per-formed, etc.).
- Delivered objects shall be accepted by the client, even if they are defective, without prejudice for his rights.

VII. Complaint of Defects, Guarantee, Guarantee Period

- The client shall examine the object of the delivery immediately after receipt and lodge written complaint of any defects without delay. The client shall also examine the object of the delivery for defects before every commissioning, in particular regarding safety and suitability for use. During its use, the object of the delivery shall be monitored constantly with regard to safety and defects. If there are even slight reserva-tions concerning the suitability for use or the slightest reservations concerning safety, the object must not be used or its operation must be shut down immediately. The supplier shall be given written notification immediately, specifying the reservations or the defect within the scope of a complaint of defects. The client shall allow the supplier the time and opportunity required to perform any and all remedies and re-place-ment deliveries which the supplier regards as necessary. Otherwise, the supplier is released from liability for any consequences resulting therefrom.
- If the supplier's performance is defective at the time of the transfer of risk, the supplier shall perform subsequently, at his discretion remedying the defect or delivering a defectfree object in exchange for the defective object delivered. Replaced parts become the property of the supplier. If subsequent performance regarding a defect for which the supplier is responsible is not possible, has finally failed, is unreasonable for the purchaser, or if the seller has refused both types of subsequent performance, or if a reasonable extension for subsequent perform-ance granted to the supplier has fruitlessly lapsed, the client may at his discretion reduce the remuneration for the supplier or withdraw from the contract. If there is only an minor defect, however, the client has only the right to reduce the remuneration.
- If the supplier has fraudulently concealed a defect or given a guarantee for the quality of the object, the statutory regulation shall apply.
- Unauthorized remedy of defects by the client or third parties shall result in the loss of all claims due to defects on the supplier. The supplier will not bear the costs for the remedy of defects by the client or third parties without the express prior agreement of the supplier. This provision does not apply in urgent cases – especially when delay is not possible – in which the operating safety is endangered or in order to prevent unreasonably great damage. In such cases, the supplier shall be notified immediately and shall be obligated to reimburse only the necessary costs.
- In particular, the supplier does not accept any guarantee or any warranty obligation for damage in the following cases: unsuitable or improper use, defective installation or commis-sioning by the client or third parties, natural wear and tear, defective or negligent handling, improper maintenance, excessive load, unsu-itable operating materials and replacement materi-als, poor work, unsuitable foundation, chemical, electro-technical/ electronic or electric influ-ences. This exclusion does not apply if the supplier is responsible for the damage in conformity with the more specific provision of the regulation in VIII. No. 5. There shall also be no liability and warranty obligation for the supplier in particular for the following mea-sures and actions taken by the client or third parties and the consequences thereof: improper remedy of defects, change of the object of the delivery without the prior agreement of the supplier, addition and inser-tion of parts, in particular of spare parts which do not come from the supplier or which the supplier has not expressly approved for insertion, and failure to follow the operating instructions.
- The supplier does not grant any warranty for material provided by the client or acquired on the basis of specifications predetermined by the client or for designs predetermined by the client.
- The supplier does not grant any warranty for possible material defects for the sale of used machines, devices or parts. The supplier does not guarantee any quality and points out that used machines and parts frequently do not have the same quality as newly manufactured machines and parts, also with respect to their ability to perform.
- The client's claims for subsequent performance as well as his possible claims for damage compensation or reimbursement for expenditures due to defects shall be time-barred after one year following delivery of the goods for deliveries, after one year following conclusion of the installation for installations. If the acceptance of the object of the delivery or the accep-tance of the delivery and performance is delayed due to no fault of the supplier, the guarantee shall expire no later than 12 months after readiness. An analogous provision applies to subsequent performance. If the supplier has fraudulently concealed the defect or has given a guarantee for the quality of the item, the statutory regulation shall apply to the time-barring of any claims on the Description of the client based thereon. The statutory regulation shall also apply to the time-barring of any damage compensation claims of the client because of defects if the supplier is guilty of intention or gross negligence or if the damage compensation claim is based on an injury to life, body or health.

- Any and all other further claims of the client are excluded, in particular for damage compensa-tion, including compensation for damage which did not result on the object of the delivery it-self. No. VIII.5. applies accordingly.

VIII. Withdrawal, Damage Compensation and Limitation of Actions

- The client may withdraw from the contract if the complete performance finally becomes impossible for the supplier before the transfer of risk. A claim by the client for damage com-pensation due to final impossibility of the performance is excluded unless the supplier is guilty of gross negligence. Any claim for damage compensation is limited to the damage foreseeable at the time of conclusion of the contract and resulting from the usual course of events and is limited in amount to a maximum of 15% of the contract sum. The client may also withdraw from the contract if, for an order of identical items, the delivery of a Description of the ordered items in terms of quantity becomes impossible and the client has a justified interest in refusing a partial delivery. If this is not the case, the client may reduce the counter-performance accordingly.
- If the impossibility occurs during delay of acceptance or due to the fault of the client, the latter remains obligated to counter-performance.
- The client may withdraw from the contract if the supplier is in default of his performance, to the extent that said performance is due, the client has previously set a reasonable extension without success, and the supplier is responsible for his non-performance. A claim by the client for damage compensation due to the supplier's default of performance is excluded unless the supplier is guilty of gross negligence. Any claim for damage compensation is limited to the damage foreseeable at the time of conclusion of the contract and resulting from the usual course of events and is limited in amount to 1/2 % for each full week of delay, in total to a maximum of 5% of the value of that Description of the total delivery which cannot be used in due time because of the delay.
- The client's right to withdraw from the contract – beyond the cases regulated above in Nos. 1 and 3 – in accordance with statutory regulations in the event of a violation of obligations for which the supplier is responsible and which does not result from a defect remains unaffected.
- Any and all other more extensive claims of the client, in particular for termination and for damage com-pensation, including claims for damage compensation in lieu of performance and claims for compensation of damage of any type, for any legal reason whatsoever, including the violation of pre-contractual and con-tractual obligations, for actions in tort committed during development, conclusion and performance of the contract as well as for damage which did not result on the object of the delivery itself, are excluded. This exclusion of liability does not apply if the supplier is guilty of gross negligence. Furthermore, this exclusi-on of liability does not apply in the event of culpable violation of the essential contractual obligations of the supplier. Furthermore, this exclusion of liability does not apply to any claim of the client for damage com-pensation based on an intentional or grossly negligent injury of life, body or health. Finally, this exclusion of liability does not apply in those cases in which liability is compulsory in accor-dance with the Product Liability Act for personal injury or material damage to privately used objects. If these cases result in the supplier's liability – or in deviation from the above provisions in other cases due to contractual or statutory basis for claim – said liability shall be limited to compensation for the fore-seeable damage resulting from the usual course of events and which has been proven in each individual instance. However, this limitation of liability does not apply to any liability in accordance with the Product Liability Act due to defects of the object of the delivery for personal injury or for material damage to pri-vately used objects. Furthermore, this limitation of liability does not apply if the supplier is guilty of intention or of gross negligence.
- Damage compensation claims of the client on the supplier – whether due to the violation of precon-tractual or contractual obligations, to actions in tort committed during the develop-ment, conclusion and performance of the contract or due to other legal reasons – shall be time-barred no later than one year after the end of the year in which the claim arose and the client learned of the circumstances substantiating the claim and of the person of the debtor, or would have learned thereof without gross negligence. If the debtor is guilty of intention or gross negligence, the statutory regulation shall apply. Furthermore, the statutory regulation shall apply to any damage compensation claim based on an intentional or grossly negligent injury of life, body or health.
- The managing directors of the supplier and his employees are liable to the client for actions in tort committed during the development, conclusion and performance of the contract only in cases of intention and gross negligence. No. 6 above applies analogously to the timebarring of claims of the client on the managing directors of the supplier and his employees.

IX. Security

- The object of the delivery remains the property of the supplier until full payment of the agreed price and of all other claims, including future claims, from the business relationship with the client. If in the context of the payment of the purchase price the supplier becomes liable on the basis of bills of exchange, the retention of title does not lapse before all bills of exchange have been completely redeemed by the client.
- The client assigns now to the supplier the claims arising from the further sale of the objects of the delivery in the amount of the value of the objects of the delivery and all secondary rights The client is authorized to collect the claim. The authority of the supplier to collect the claim himself remains unaffected hereby.
- The supplier obligates himself to release security at his discretion to the extent that the realizable value of his security exceeds the total of his claims from the business relationship by more than 10%.
- As long as the client fulfils his obligations to the supplier, he is entitled to dispose of the object of the delivery in the course of orderly business and subject to retention of title, to the extent that the claims effectively pass to the supplier in accordance with No. 2. Extraordinary dis-posals such as pledges, transfer by way of security and any and every assignment are not permissible. The supplier shall be given written notification immediately of any attachment by third parties on the object of the delivery or assigned claims, in particular pledges.
- During the period of the retention of title, the client is in principle entitled to possess and make use as intended of the object of the delivery. In the event of actions in breach of contract by the client – in particular if the client is in default of payment – as well as in the cases of No. IV.2., however, the supplier may repossess the object of the delivery and revoke the authori-zation to collection of the claims resulting from the further sale. The client is – under exclusion of rights of retention – obligated to surrender the object. The client shall bear any and all costs of the repossession and exploitation. The supplier is entitled to private sale. The client shall upon request immediately submit to the supplier a catalogue of the claims assigned in conformity with No. 2. as well as all additional information and documents necessary for exer-cise of the claims to which the supplier is entitled, and inform the debtors of the assignment.
- The client shall maintain the object of the delivery in proper condition during the retention of title and allow the supplier or a workshop authorized by the supplier – with the exception of emergencies – to per-form immediately all of the maintenance and repair work prescribed by the supplier.

- In the case of automobile concrete pumps, the supplier shall have the right to possess the vehicle title for the duration of the retention of title.
- The exercise of the retention of title and pledge of the object of the delivery by the supplier shall not be deemed withdrawal from the contract.
- If the retention of title or the assignment is not effective according to the law of the country in which the goods are located, the security closest in nature to retention of title or assign-ment in this country shall be deemed as agreed. If a contribution of the client is required for this purpose, the client shall perform all legal actions necessary to establish and preserve such rights.

X. Industrial Property Rights

If the supplier is to perform according to drawings or models, samples, or using parts supplied by the client, the client shall warrant that industrial property rights of third parties are not infringed hereby. The client shall indemnify the supplier from any and all claims by third parties due to infringement of industrial property rights and shall compensate the supplier for any resulting damage and for his costs and expend-itures. If the client is prohibited from manufacture or delivery by a third party on the basis of an industrial property right, the supplier is entitled to cease work without making a closer examination of the legal situ-ation. In this case, the supplier may withdraw from the contract and demand compensation for his damage as well as his costs and expenditures.

XI. Use of Software

To the extent that software is included in the scope of the delivery, the client shall be granted a non-exclu-sive right to use the supplied software, including its documentation. It is released for use on the object of the delivery intended for this purpose. The use of the software on more than one system is prohibited.

The client may reproduce, rework or translate the software or convert from the object code into the source code only within the legally permissible scope (Sec. 69 a ff UrhG, Copyright Act). The client obligates him-self not to remove manufacturer's information – in particular copyright notices – or to change them without the prior express permission of the supplier.

All other rights to the software and the documentation, including the copies, remains with the supplier or the software supplier. The granting of sublicenses is not permissible.

XII. Proper Law, Place of Performance, Jurisdiction

- Sole proper law is that of the Federal Republic of Germany. In case of doubt, the German language versi-on of all contractual provisions shall be decisive. The Uniform Sales Convention does not apply.
- Place of performance is D-72629 Aichtal.
- If the client is a merchant, a legal person under public law or a special fund under public law, the courts of Stuttgart shall have jurisdiction for any and all disputes arising under this con-tractual relationship, including disputes regarding its creation and its effectiveness as well as for bill of exchange and cheque litigation. The supplier may apply to any other court which has jurisdiction according to statutory provisi-ons.
- If one of the provisions of these terms and conditions of sale and delivery is invalid, in whole or in Description, the validity of the remaining provisions shall not be affected.

Putzmeister Mörtelmaschinen GmbH
D-72629 Aichtal – P.O. Box 2152
Telephone: (0 71 27) 599-0 - Fax: (0 71 27) 599-520
Internet: www.mortarmachines.com - E-mail: mm@pmw.de

Putzmeister Mörtelmaschinen GmbH

Max-Eyth-Str. 10 · D-72631 Aichtal · Germany
P.O. Box 2152 · D-72629 Aichtal · Germany

Telefon +49 (0) 71 27 599-699

Telefax +49 (0) 71 27 599-743

Internet www.mortarmachines.com

eMail mm@putzmeister.de

Putzmeister